

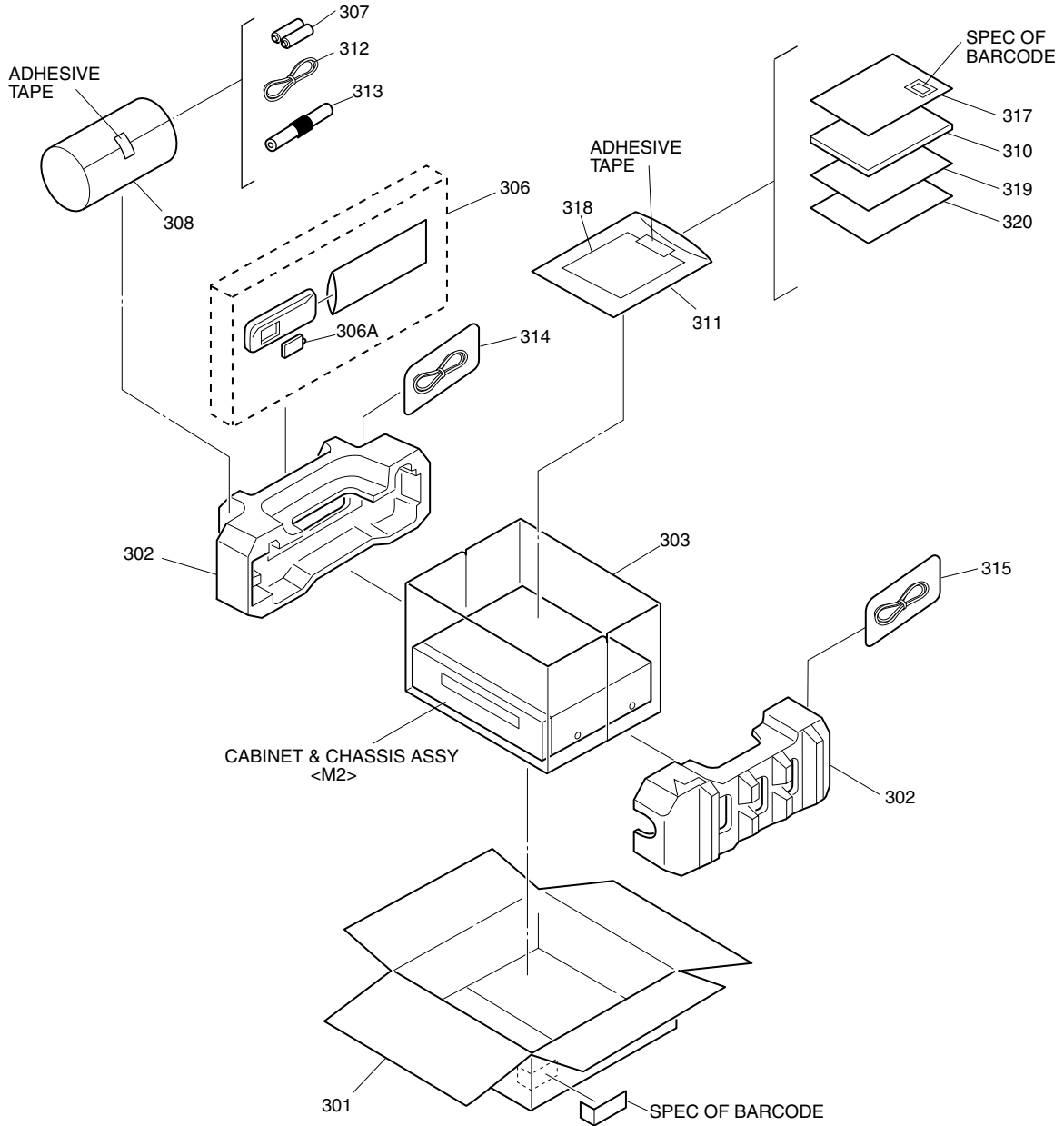
SECTION 5 PARTS LIST

SAFETY PRECAUTION

Parts identified by the \triangle symbol are critical for safety. Replace only with specified part numbers.

5.1 PACKING AND ACCESSORY ASSEMBLY <M1>

The instruction manual to be provided with this product will differ according to the destination.



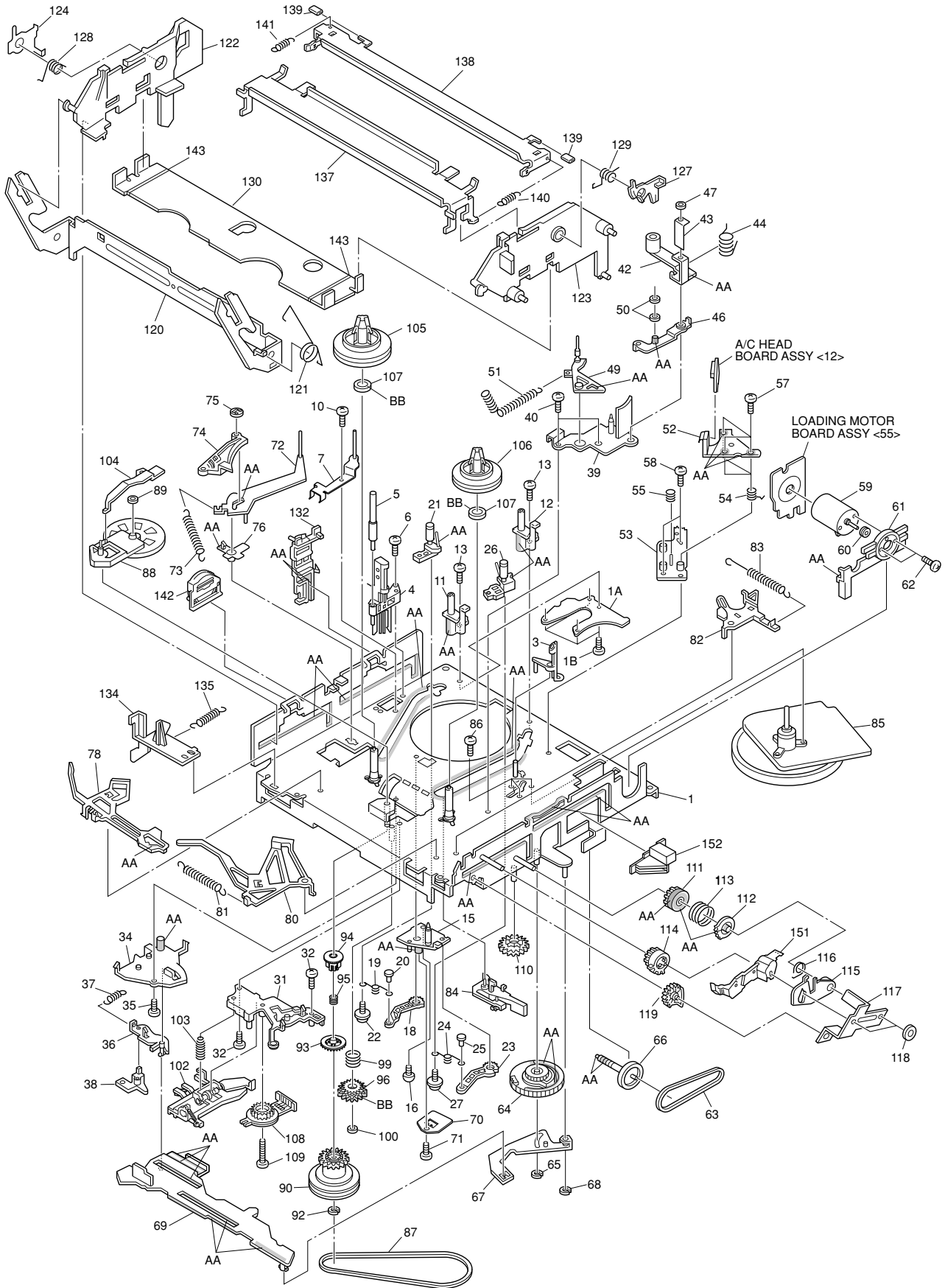
# \triangle	REF No.	PART No.	PART NAME, DESCRIPTION	# \triangle	REF No.	PART No.	PART NAME, DESCRIPTION	

PACKING AND ACCESSORY ASSEMBLY <M1>								
		301	LP30711-001B	PACKING CASE	\triangle	310	LPT0334-001A	INST.BOOK(FR),S7700MS
		302	LP30606-002C	CUSHION ASSY	\triangle		LPT0333-001B	INST.BOOK(FR),S6700MS
		303	PQM30021-95	POLY BAG		311	QPC02503530P	POLY BAG
		306	LP20878-002A	REMOTE CONTROLLER		312	PEAC0300-02	RF CABLE
		306A	LP40610-002A	COVER(BATTERY)		313	PEAC0429	P/S CONV PLUG
		307	-	BATTERY,X2("R6"TYPE)		314	QAL0095-005	LED CABLE ASSY(Satelite Controller)
		308	QPC02202230P	POLY BAG		315	QAM0020-001	PERI CABLE
						317	BT-54008-2	GUARANTY CARD
						318	LPT0002-0F6B	SHEET(ATTENTION)
						319	LP40437-001A	LABEL(S-VHS ET)
						320	LP40605-001A	SHEET

#	△	REF No.	PART No.	PART NAME, DESCRIPTION	#	△	REF No.	PART No.	PART NAME, DESCRIPTION

CABINET AND CHASSIS ASSEMBLY <M2>									
△		501	LP10217-028A	FRONT PANEL ASSY,S6700MS			WR1	QUQ112-0720CG	FFC WIRE,A/C HEAD CN2001
△			LP10217-032A	FRONT PANEL ASSY,S7700MS			WR2	QUQ212-0518CG	FFC WIRE,DRUM CN3001
		501A	LP20342-043A	CASSETTE DOOR,6700MS			WR3	QUQ112-1414CG	FFC WIRE,DISPLAY CN3011
			LP20342-046A	CASSETTE DOOR,7700MS			WR4	QUQ112-1407CG	FFC WIRE,TERMINAL CN512
		501B	PQ46448	TORSION SPRING			WR5	QUQ212-0516CG	FFC WIRE,JACK CN902
		501C	LP30531-022A	DISPLAY WINDOW,S6700MS			WR6	QUQ212-0416CG	FFC WIRE,S(FSA) CN901
			LP30531-026A	DISPLAY WINDOW,S7700MS			WR7	QUQ112-0614CG	FFC WIRE,SHUTTLE CN7001,S6700MS
△		502	PQ11676-95	TOP COVER			WR8	QUQ112-0616CG	FFC WIRE,JOG(FSA)CN3012,S7700MS
		503	QYTDSF3010R	SCREW,X4 TOP COVER(SIDE)			WR9	QUQ112-0922CG	FFC WIRE,S/P CONVERTER CN513
		504	QYTDSF3010M	SCREW,TOP COVER(REAR)			WR10	QUQ212-0414CG	FFC WIRE,S/P CONVERTER CN1901
		505	LP20617-014A	DRUM SUB ASSY,S7700MS					
			LP20617-011A	DRUM SUB ASSY,S6700MS					
		505A	LP20616-005A	UPPER DRUM ASSY,S6700MS					
			LP20030-017A	UPPER DRUM ASSY,S7700MS					
		505B	PDM4439	CAP					
		505C	PDM4444-19-2	WASHER					
		505D	LP40572-001A	COLLAR ASSY					
		505E	LP40323-001A	CONTACT					
		505F	LP30004-014A	COMPRESION SPRING					
		505G	LP40174-001B	FPC PLATE					
		505H	LP20615-007A	LOWER DRUM ASSY,S7700MS					
			LP20615-002A	LOWER DRUM ASSY,S6700MS					
		506	PDZ0179-1-4	ROTOR ASSY					
		507	QYSPSP3006Z	SCREW,X2					
△		508	QAR0119-001	STATOR ASSY					
		509	QYSPSPH2606Z	SCREW,X2					
		510	QYTDST2610Z	SCREW,X3 DRUM					
△		511	LP10116-003J	BOTTOM CHASSIS					
△		512	PQ11668-2-12	BOTTOM COVER					
		513	QYTDSF3010Z	SCREW,X2					
		514	LP30312-001B	BRACKET(CHASSIS)					
		515	QYTDSF3010Z	SCREW,X2					
		516	QYTDSF4012Z	SCREW,MECHA					
		517	QYTDSF3010Z	SCREW,X2 MECHA					
		519	LP40407-001A	KNOB ASSY					
		520	LP40370-001E	ROLLER ARM ASSY					
		520A	PDM4311A-1	ROLLER ASSY					
		521	PQ45160	INERTIA PLATE					
		522	LP40226-001A	PC SUPPORT					
△		523	QMP4A10-170	POWER CORD					
		524	LP40253-001B	STOPPER					
		525	PQ40413	SPECIAL SCREW,MECHA					
		526	LP40659-001A	EARTH PLATE(2)					
		527	QYTDSF3010M	SCREW,TERMINAL					
		528	QYTSPFG3010Z	SCREW,X2 TERMINAL					
		529	QYTDSF3010Z	SCREW,S JACK					
		530	LP30695-001A	KNOB(SHUTTLE),S7700MS					
			LP30699-001B	KNOB(SHUTTLE),S6700MS					
		531	LP30694-001A	KNOB(JOG),S7700MS					
			LP30698-001A	KNOB(PLAY),S6700MS					
		532	LP30703-001A	BASE,S6700MS					
		533	QYTDSF2608Z	SCREW,X3,S7700MS					
			QYTDSF2612Z	SCREW,X3,S6700MS					
		534	LP30532-001A	CAP(JACK)					
		535	QYTDSF3010Z	SCREW,X2 P/S CONVERTER					
		536	LP30002-092A	SPACER,BOTTOM COVER					

5.3 MECHANISM ASSEMBLY <M4>



Classification	Part No.	Symbol in drawing
Grease	KYODO-SH-P	AA
Oil	COSMO-HV56	BB

NOTE:The section marked in **AA** and **BB** indicate lubrication and greasing areas.

#	△ REF No.	PART No.	PART NAME, DESCRIPTION	#	△ REF No.	PART No.	PART NAME, DESCRIPTION

MECHANISM ASSEMBLY <M4>							
1		LP20821-002F	MAIN DECK ASSY	71		QYTDSF2608M	SCREW
1A		LP40275-004B	PLATE(SUPPLY)	72		LP40108-002A	TENSION ARM ASSY
1B		QYTDST2605Z	SCREW,X4	73		LP30003-010A	TENSION SPRING
3		LP30492-002B	GIDE POLE GUARD	74		LP40109-003D	TENSION BRAKE ASSY
4		NAH0001-001	FULL ERASE HEAD	75		PQ46302-1-3	ADJUST PIN
5		LP40098-001B	GUIDE POLE(SUPPLY)	76		LP30232-002A	TENSION ARM BEARING
6		QYTDST2608Z	SCREW	78		LP40532-009B	MAIN BRAKE ASSY (SUPPLY)
7		LP40637-002A	TENSION STUD BASE ASSY	80		LP40111-014B	MAIN BRAKE ASSY (TAKE UP)
10		QYTDST2606Z	SCREW	81		LP30003-029A	TENSION SPRING
11		LP30409-002C	UV CATCHER 2(SUPPLY)	82		LP40112-001F	SUB BRAKE ASSY(TAKE UP)
12		LP30409-002C	UV CATCHER 2(TAKE UP)	83		LP40357-001B	TENSION SPRING
13		QYTPST2606Z	SCREW,X2	84		LP40461-001A	CAPSTAN BRAKE ASSY
15		LP30223-003C	LOADING ARM GEAR SHAFT	85		QAR0132-001	CAPSTAN MOTOR
16		QYTDST2606Z	SCREW	86		QYTDSF2606M	SCREW,X3
18		LP30224-001A	LOADING ARM GEAR(SUPPLY)	87		LP30005-008A	BELT,CAPSTAN MOTOR
19		LP40099-001A	TORSION ARM	88		LP40114-011A	IDLER ARM ASSY
20		LP40100-001A	PIN	89		LP30016-001A	SLIT WASHER
21		LP40101-006A	POLE BASE ASSY(SUPPLY)	90		LP40593-003B	CLUTCH UNIT 3
22		QYSPSTG2606Z	SCREW	92		PQM30017-47	SLIT WASHER
23		LP40103-002B	LOADING ARM GEAR(TAKE UP)	93		LP30696-002A	CLUTCH GEAR 4
24		LP40099-001A	TORSION ARM	94		LP30697-003A	COUPLING GEAR
25		LP40100-001A	PIN	95		LP40554-002A	COMPRESSION SPRING
26		LP40104-006A	POLE BASE ASSY(TAKE UP)	96		LP40442-001A	DIRECT GEAR
27		QYSPSTG2606Z	SCREW	99		LP40483-002A	COMPRESSION SPRING
31		LP20233-004B	ROTARY ENCODER GUIDE	100		LP30016-001A	SLIT WASHER
32		QYTPST2606Z	SCREW	102		LP40484-003A	CHANGE LEVER ASSY
34		LP30226-004D	CONTROL PLATE GUIDE	103		LP40512-002B	COMPRESSION SPRING
35		QYTPST2605Z	SCREW	104		LP30236-002B	IDLER LEVER
36		LP30249-003B	TAKE UP LEVER	105		LP20237-003B	REEL DISK ASSY(SUPPLY)
37		LP30003-006A	TENSION SPRING	106		LP20238-003B	REEL DISK ASSY(TAKE UP)
38		LP40119-002A	T.UP HEAD	107		LP30017-015A	SPACER,X2
39		LP20234-004B	LID GUIDE	108		QSW0554-003	ROTARY ENCODER
40		QYTDST2606Z	SCREW,X2	109		QYTPST2620Z	SCREW
42		LP40105-001B	PINCH ROLLER ARM ASSY	110		LP30237-002B	CASSETTE GEAR
43		LP40478-001A	PINCH ROLLER SHEET2	111		LP30239-002G	LIMIT GEAR(1)
44		LP40148-002A	TORSION SPRING	112		LP30240-002G	LIMIT GEAR(2)
46		LP40149-001C	PRESS LEVER ASSY	113		LP40136-001E	TORSION SPRING
47		LP30016-002A	SLIT WASHER	114		LP30242-002A	RELAY GEAR
49		LP40106-005A	GUIDE ARM ASSY	115		LP30339-002E	OPENER GUIDE
50		LP40404-002A	SPACER,X2	116		LP40545-001A	TORSION SPRING
51		LP40134-001C	TENSION SPRING	117		LP40214-001B	C.H.BRACKET
52		QAH0010-004	AC HEAD	118		PQM30017-47	SLIT WASHER,X2
53		LP30228-001A	HEAD BASE	119		LP30243-001D	DRIVE GEAR
54		LP30004-013A	COMPRESSION SPRING,X3	120		LP20240-001D	DRIVE ARM
55		LP40236-001A	COMPRESSION SPRING	121		LP40137-001A	TORSION SPRING
57		LP40213-002B	SPECIAL SCREW,X3	122		LP10081-002L	SIDE HOLDER(L)
58		QYTDST2608Z	SCREW,X2	123		LP10082-002M	SIDE HOLDER(R)
59		QAR0023-001	LOADING MOTOR	124		LP30255-006A	LOCK LEVER(L)
60		PQ43546-1-2	MOTOR PULLEY	127		LP30256-001H	LOCK LEVER(R)
61		LP30230-001B	MOTOR GUIDE	128		LP40168-001A	TORSION SPRING(L)
62		QYTPSP3003Z	SCREW,X2	129		LP40218-001B	TORSION SPRING(R)
63		LP30005-003A	BELT,LOADING MOTOR	130		LP30257-001G	CASSETTE HOLDER
64		LP20791-002C	CONTROL CAM	132		LP30244-002G	GUIDE RAIL
65		PQM30017-24	SLIT WASHER	134		LP30245-002E	REC SAFETY LEVER
66		LP40120-001A	WORM GEAR	135		LP30003-004A	TENSION SPRING
67		LP40107-002A	LINK LEVER ASSY	137		LP20578-001C	TOP GUIDE
68		PQM30017-24	SLIT WASHER	138		LP30500-001C	HOLD PLATE
69		LP10284-002E	CONTROL PLATE	139		LP40450-003A	PAD,X2
70		LP40379-001B	CONTROL BRACKET(1)	140		LP30003-025B	TENSION SPRING
				141		LP30003-024A	TENSION SPRING
				142		LP40481-003A	ROLLER CAM ASSY
				143		LP30019-014A	PAD,X2
				151		LP20324-003A	DOOR OPENER
				152		LP30493-001A	START SENSOR CAP

5.4 ELECTRICAL PARTS LIST

#	△ REF No.	PART No.	PART NAME, DESCRIPTION

MAIN BOARD ASSEMBLY <03>			
PW1		LPA10106-06D1	MAIN BOARD ASSY,S6700MS
		LPA10106-08C1	MAIN BOARD ASSY,S7700MS
IC1		JCP8020-MSD-2	IC
IC2		MM1113XF	IC
IC3001		HD6432194AA04F	IC(MCU)
IC3002		S-80727AN-DQ-X	IC
		or S-80827ANUP-W	IC
IC3003		AT24C16-10PC	IC
		or 24LC16B/P	IC
		or BR24C16	IC
IC3004		BA6956AN	IC
IC3601		BU2090FS	IC
IC3651		BU2090FS	IC
IC5101		STR-G6551	IC
IC5301		LA5644	IC
IC6080		NJM2125F	IC
Q1		2SC4081/S/-X	TRANSISTOR,S6700MS
Q2		2SC4081/S/-X	TRANSISTOR,S6700MS
Q3		2SC4081/S/-X	TRANSISTOR,S6700MS
Q4		2SC4081/S/-X	TRANSISTOR,S6700MS
Q5		2SB1218A/QR/-X	TRANSISTOR
		or 2SA1576A/QR/-X	TRANSISTOR
		or 2PA1576/R/-X	TRANSISTOR
Q7		2SD1819A/QRS/-X	TRANSISTOR
		or 2PC4081/R/-X	TRANSISTOR
		or 2SC4081/QRS/-X	TRANSISTOR
Q8		2SD1819A/QRS/-X	TRANSISTOR
		or 2SC4081/QRS/-X	TRANSISTOR
		or 2PC4081/R/-X	TRANSISTOR
Q9		2SB1218A/QR/-X	TRANSISTOR
		or 2PA1576/R/-X	TRANSISTOR
		or 2SA1576A/QR/-X	TRANSISTOR
Q10		2SB1218A/QR/-X	TRANSISTOR
		or 2SA1576A/QR/-X	TRANSISTOR
		or 2PA1576/R/-X	TRANSISTOR
Q14		UN511E	TRANSISTOR
		or DTA144WU	TRANSISTOR
		or PDTA144WU	TRANSISTOR
		or RN2309	TRANSISTOR
Q17		DTC144WU	TRANSISTOR
		or PDTC144WU	TRANSISTOR
		or RN1309	TRANSISTOR
		or UN521E	TRANSISTOR
Q18		2SB1218A/QR/-X	TRANSISTOR
		or 2PA1576/R/-X	TRANSISTOR
		or 2SA1576A/QR/-X	TRANSISTOR
Q21		2SB1218A/QR/-X	TRANSISTOR
		or 2SA1576A/QR/-X	TRANSISTOR
		or 2PA1576/R/-X	TRANSISTOR
Q24		2SB1218A/QR/-X	TRANSISTOR
		or 2PA1576/R/-X	TRANSISTOR
		or 2SA1576A/QR/-X	TRANSISTOR
Q38		2SD1819A/QRS/-X	TRANSISTOR
		or 2SC4081/QRS/-X	TRANSISTOR
		or 2PC4081/R/-X	TRANSISTOR
Q41		DTC144WU	TRANSISTOR
		or PDTC144WU	TRANSISTOR

#	△ REF No.	PART No.	PART NAME, DESCRIPTION
		or RN1309	TRANSISTOR
		or UN521E	TRANSISTOR
Q401		2SA1576A/QR/-X	TRANSISTOR,S7700MS
Q402		2SA1576A/QR/-X	TRANSISTOR,S7700MS
Q403		DTC144WU	TRANSISTOR,S7700MS
		or PDTC144WU	TRANSISTOR,S7700MS
		or RN1309	TRANSISTOR,S7700MS
		or UN521E	TRANSISTOR,S7700MS
Q404		DTC144WU	TRANSISTOR,S7700MS
		or PDTC144WU	TRANSISTOR,S7700MS
		or RN1309	TRANSISTOR,S7700MS
		or UN521E	TRANSISTOR,S7700MS
Q405		2SA1576A/QR/-X	TRANSISTOR,S7700MS
Q2001		2SC4081/QRS/-X	TRANSISTOR
		or 2SD1819A/QRS/-X	TRANSISTOR
		or 2PC4081/R/-X	TRANSISTOR
Q2002		2SC4081/QRS/-X	TRANSISTOR
		or 2PC4081/R/-X	TRANSISTOR
		or 2SD1819A/QRS/-X	TRANSISTOR
Q2003		DTA144WU	TRANSISTOR
		or PDTA144WU	TRANSISTOR
		or RN2309	TRANSISTOR
		or UN511E	TRANSISTOR
Q2004		DTC144WU	TRANSISTOR
		or PDTC144WU	TRANSISTOR
		or RN1309	TRANSISTOR
		or UN521E	TRANSISTOR
Q2052		2SA1576A/QR/-X	TRANSISTOR
		or 2SB1218A/QR/-X	TRANSISTOR
		or 2PA1576/R/-X	TRANSISTOR
Q2053		DTC144WU	TRANSISTOR
		or PDTC144WU	TRANSISTOR
		or RN1309	TRANSISTOR
		or UN521E	TRANSISTOR
Q2054		2SA1576A/QR/-X	TRANSISTOR
		or 2PA1576/R/-X	TRANSISTOR
		or 2SB1218A/QR/-X	TRANSISTOR
Q2061		2SC4081/QRS/-X	TRANSISTOR,S7700MS
		or 2PC4081/R/-X	TRANSISTOR,S7700MS
		or 2SD1819A/QRS/-X	TRANSISTOR,S7700MS
Q2062		2SA1576A/QR/-X	TRANSISTOR,S7700MS
		or 2PA1576/R/-X	TRANSISTOR,S7700MS
		or 2SB1218A/QR/-X	TRANSISTOR,S7700MS
Q2251		DTA144WU	TRANSISTOR
		or PDTA144WU	TRANSISTOR
		or RN2309	TRANSISTOR
		or UN511E	TRANSISTOR
Q2252		DTC114EU	TRANSISTOR
		or PDTC114EU	TRANSISTOR
		or UN5211	TRANSISTOR
		or RN1302	TRANSISTOR
Q3001		2SD1819A/QRS/-X	TRANSISTOR
		or 2SC4081/QRS/-X	TRANSISTOR
		or 2PC4081/R/-X	TRANSISTOR
Q3002		PTZ-NV16	PHOTO TRANSISTOR
		or PTZ-NV16A	PHOTO TRANSISTOR
Q3003		PTZ-NV16	PHOTO TRANSISTOR
		or PTZ-NV16A	PHOTO TRANSISTOR
Q3004		2SD1819A/QRS/-X	TRANSISTOR
		or 2PC4081/R/-X	TRANSISTOR
		or 2SC4081/QRS/-X	TRANSISTOR

#	△	REF No.	PART No.	PART NAME, DESCRIPTION	#	△	REF No.	PART No.	PART NAME, DESCRIPTION
			Q3005	2SD1819A/QRS/-X			D3008	1SS355	DIODE
				or 2SC4081/QRS/-X			D3011	1SS133	DIODE,S7700MS
				or 2PC4081/R/-X			D3012	1SS133	DIODE,S7700MS
			Q3007	UN521E			D4001	1SS355	DIODE
				or RN1309			D4002	1SS355	DIODE
				or DTC144WU			D5001	S1WB/A/60-4102	BRIDGE DIODE
				or PDC144WU				or S1WB(A)60F4072X	BRIDGE DIODE
			Q4001	UN5211				or S1WB/A/60-X	BRIDGE DIODE
				or RN1302			D5101	AU01	FR DIODE
				or PDC114EU				or ERA18-04-T2	FR DIODE
				or DTC114EU				or 1SR153-400-T2	FR DIODE
			Q4003	UN5211				or 10ELS4	FR DIODE
				or PDC114EU			D5102	AU01	FR DIODE
				or DTC114EU				or ERA18-04-T2	FR DIODE
				or RN1302				or 1SR153-400-T2	FR DIODE
			Q5301	2SB1256				or 10ELS4	FR DIODE
			Q5302	DTC114TU			D5103	AU01Z	FR DIODE
				or PDC114TU				or PG104RS	FR DIODE
				or UN5215				or 10ELS2	FR DIODE
				or RN1311				or ERA18-02-T2	FR DIODE
	△		Q5303	2SD2144S/UVW/-T				or 1SR153-400-T2	FR DIODE
			Q5304	2SD1450/ST/-T			D5201	AK04	DIODE,S7700MS
				or 2SD1302/ST/-T				AU01Z	FR DIODE,S6700MS
			Q5305	UN5111				or 1S4	SB DIODE,S7700MS
				or RN2302				or 10ELS2	FR DIODE,S6700MS
				or DTA114EU				or 11EQS04	SB DIODE,S7700MS
				or PDATA114EU			D5202	FML-12S	FR DIODE
			Q5310	DTC114EU				or FCF06A20	FR DIODE
				or PDC114EU				or MA644	FR DIODE,S7700MS
				or UN5211				or YG901C2	FR DIODE
				or RN1302				or SF5LC20U	FR DIODE,S6700MS
			Q5311	2SA1576A/RS/-X				or ER602FCT	FR DIODE,S6700MS
			Q5312	2SD2144S/UV/-T			D5206	FMB-24	BARRIER DIODE
			Q5318	DTA114EU				or MA7D49	SB DIODE,S7700MS
				or PDATA114EU				or YG801C04	SB DIODE
				or UN5111				or FSQ05A04B	SB DIODE
				or RN2302				or SF5SC4	SB DIODE,S6700MS
			Q6030	2SB1218A/QR/-X				or SB640FCT	SB DIODE,S6700MS
				or 2SA1576A/QR/-X			D5209	ERA18-02-T2	FR DIODE
				or 2PA1576/R/-X				or PG104RS	FR DIODE
			Q6031	DTC114EU				or 10ELS2	FR DIODE
				or PDC114EU				or 1SR153-400-T2	FR DIODE
				or RN1302			D5210	AU01Z	FR DIODE
				or UN5211				or ERA18-02-T2	FR DIODE
			Q6032	DTC114EU				or PG104RS	FR DIODE
				or PDC114EU				or 1SR153-400-T2	FR DIODE
				or RN1302				or 10ELS2	FR DIODE
				or UN5211			D5211	AU01Z	FR DIODE
			Q7201	2SC1317/RS/-T				or ERA18-02-T2	FR DIODE
			D6	MTZJ5.1C				or PG104RS	FR DIODE
			D2001	1SS355				or 1SR153-400-T2	FR DIODE
			D2121	MTZJ8.2C				or 10ELS2	FR DIODE
			D2201	11ES2			D5301	MTZJ15A	ZENER DIODE
				or 1A3G				or RD15ES/B1/-T2	ZENER DIODE
			D3001	LNB2301L01VI			D5302	MTZJ6.8A	ZENER DIODE
			D3002	1SS133				or RD6.8ES/B1/-T2	ZENER DIODE
			D3003	RD39ES/B3/-T2			D5303	MTZJ27C	ZENER DIODE
				or MTZJ39C				or RD27ES/B3/-T2	ZENER DIODE
			D3004	11E2-T5			D5304	1SS133	DIODE
			D3005	11E2-T5				or 1SS270A	DIODE
			D3007	NRSA02J-0R0X	MG RESISTOR,S7700MS	0Ω,1/10W	D5305	11ES2	DIODE

#	△ REF No.	PART No.	PART NAME, DESCRIPTION
		or ERA15-02-T2	DIODE
		or 1A3G	DIODE
D5306		MTZJ12A	ZENER DIODE
		or RD12ES/B1/-T2	ZENER DIODE
D5307		1SS133	DIODE
		or 1SS270A	DIODE
D5309		1SS133	DIODE
		or 1SS270A	DIODE
D5310		MTZJ11C	ZENER DIODE
		or RD11ES/B3/-T2	ZENER DIODE
D6002		HZ30-2L-T2	ZENER DIODE
		or HZ30-2LTD	Z DIODE (M)
R1		NRSA02J-682X	MG RESISTOR 6.8kΩ,1/10W
R2		NRSA02J-152X	MG RESISTOR 1.5kΩ,1/10W
R4		NRSA02J-0R0X	MG RESISTOR 0Ω,1/10W
R5		NRSA02J-0R0X	MG RESISTOR 0Ω,1/10W
R6		NRSA02J-273X	MG RESISTOR 27kΩ,1/10W
R7		NRSA02J-681X	MG RESISTOR 680Ω,1/10W
R8		NRSA02J-0R0X	MG RESISTOR 0Ω,1/10W
R9		NRSA02J-0R0X	MG RESISTOR 0Ω,1/10W
R21		NRSA02J-222X	MG RESISTOR,S6700MS 2.2kΩ,1/10W
R22		NRSA02J-222X	MG RESISTOR,S6700MS 2.2kΩ,1/10W
R23		NRSA02J-182X	MG RESISTOR 1.8kΩ,1/10W
R24		NRSA02J-331X	MG RESISTOR 330Ω,1/10W
R25		NRSA02J-103X	MG RESISTOR 10kΩ,1/10W
R26		NRSA02J-682X	MG RESISTOR 6.8kΩ,1/10W
R27		NRSA02J-221X	MG RESISTOR 220Ω,1/10W
R28		NRSA02J-221X	MG RESISTOR 220Ω,1/10W
R29		NRSA02J-102X	MG RESISTOR 1kΩ,1/10W
R30		NRSA02J-0R0X	MG RESISTOR 0Ω,1/10W
R31		NRSA02J-152X	MG RESISTOR 1.5kΩ,1/10W
R32		NRSA02J-471X	MG RESISTOR 470Ω,1/10W
R33		NDC21HJ-120X	CAPACITOR 12pF,50V
R34		NDC21HJ-220X	CAPACITOR 22pF,50V
R36		NRSA02J-182X	MG RESISTOR 1.8kΩ,1/10W
R38		NRSA02J-102X	MG RESISTOR 1kΩ,1/10W
R40		NRSA02J-222X	MG RESISTOR 2.2kΩ,1/10W
R41		NRSA02J-392X	MG RESISTOR 3.9kΩ,1/10W
R42		NRSA02J-681X	MG RESISTOR 680Ω,1/10W
R46		NRSA02J-271X	MG RESISTOR,S7700MS 270Ω,1/10W
		NRSA02J-561X	MG RESISTOR,S6700MS 560Ω,1/10W
R47		NRSA02J-821X	MG RESISTOR 820Ω,1/10W
R48		NRSA02J-102X	MG RESISTOR 1kΩ,1/10W
R51		NRSA02J-122X	MG RESISTOR 1.2kΩ,1/10W
R54		NRSA02J-152X	MG RESISTOR 1.5kΩ,1/10W
R62		NRSA02J-101X	MG RESISTOR 100Ω,1/10W
R68		NRSA02J-222X	MG RESISTOR 2.2kΩ,1/10W
R69		NRSA02J-0R0X	MG RESISTOR 0Ω,1/10W
R70		NRSA02J-0R0X	MG RESISTOR 0Ω,1/10W
R77		NRSA02J-103X	MG RESISTOR 10kΩ,1/10W
R88		NRSA02J-0R0X	MG RESISTOR 0Ω,1/10W
R90		NRSA02J-391X	MG RESISTOR 390Ω,1/10W
R92		NRSA02J-152X	MG RESISTOR 1.5kΩ,1/10W
R93		NRSA02J-222X	MG RESISTOR 2.2kΩ,1/10W
R104		NRSA02J-682X	MG RESISTOR 6.8kΩ,1/10W
R113		NRSA02J-101X	MG RESISTOR 100Ω,1/10W
R114		NRSA02J-0R0X	MG RESISTOR 0Ω,1/10W
R401		NRSA02J-221X	MG RESISTOR,S7700MS 220Ω,1/10W
R402		NRSA02J-681X	MG RESISTOR,S7700MS 680Ω,1/10W
R403		NRSA02J-561X	MG RESISTOR,S7700MS 560Ω,1/10W
R404		NRSA02J-473X	MG RESISTOR,S7700MS 47kΩ,1/10W

#	△ REF No.	PART No.	PART NAME, DESCRIPTION
R405		NRSA02J-683X	MG RESISTOR,S7700MS 68kΩ,1/10W
R406		NRSA02J-393X	MG RESISTOR,S7700MS 39kΩ,1/10W
R407		NRSA02J-472X	MG RESISTOR,S7700MS 4.7kΩ,1/10W
R408		NRSA02J-473X	MG RESISTOR,S7700MS 47kΩ,1/10W
R409		NRSA02J-103X	MG RESISTOR,S7700MS 10kΩ,1/10W
R2003		QRE141J-101Y	RESISTOR 100Ω,1/4W
R2005		QRE141J-0R0Y	RESISTOR 0Ω,1/4W
R2006		QRE141J-393Y	RESISTOR 39kΩ,1/4W
R2007		NRSA02J-393X	MG RESISTOR 39kΩ,1/10W
R2008		NRSA02J-123X	MG RESISTOR 12kΩ,1/10W
R2009		NRSA02J-123X	MG RESISTOR 12kΩ,1/10W
R2010		NRSA02J-123X	MG RESISTOR 12kΩ,1/10W
R2011		NRSA02J-103X	MG RESISTOR 10kΩ,1/10W
R2012		NRSA02J-153X	MG RESISTOR 15kΩ,1/10W
R2013		NRSA02J-682X	MG RESISTOR 6.8kΩ,1/10W
R2014		NRSA02J-224X	MG RESISTOR 220kΩ,1/10W
R2015		NRSA02J-181X	MG RESISTOR 180Ω,1/10W
R2016		NRSA02J-393X	MG RESISTOR 39kΩ,1/10W
R2017		NRSA02J-183X	MG RESISTOR 18kΩ,1/10W
R2018		NRSA02J-472X	MG RESISTOR 4.7kΩ,1/10W
R2019		NRSA02J-472X	MG RESISTOR 4.7kΩ,1/10W
R2020		NRSA02J-102X	MG RESISTOR 1kΩ,1/10W
R2053		NRSA02J-682X	MG RESISTOR,S6700MS 6.8kΩ,1/10W
		NRSA02J-472X	MG RESISTOR,S7700MS 4.7kΩ,1/10W
R2056		NRSA02J-101X	MG RESISTOR,S7700MS 100Ω,1/10W
		NRSA02J-470X	MG RESISTOR,S6700MS 47Ω,1/10W
R2057		NRSA02J-473X	MG RESISTOR 47kΩ,1/10W
R2058		NRSA02J-183X	MG RESISTOR 18kΩ,1/10W
R2059		NRSA02J-473X	MG RESISTOR 47kΩ,1/10W
R2060		NRSA02J-183X	MG RESISTOR 18kΩ,1/10W
R2061		NRSA02J-273X	MG RESISTOR,S7700MS 27kΩ,1/10W
R2062		NRSA02J-3R3X	MG RESISTOR,S7700MS 3.3Ω,1/10W
R2063		NRSA02J-151X	MG RESISTOR,S7700MS 150Ω,1/10W
R2064		NRSA02J-473X	MG RESISTOR,S7700MS 47kΩ,1/10W
R2065		NRSA02J-183X	MG RESISTOR,S7700MS 18kΩ,1/10W
R2121		QRE141J-151Y	RESISTOR 150Ω,1/4W
R2202		NRSA02J-222X	MG RESISTOR,S7700MS 2.2kΩ,1/10W
		NRSA02J-332X	MG RESISTOR,S6700MS 3.3kΩ,1/10W
R2203		NRSA02J-222X	MG RESISTOR,S7700MS 2.2kΩ,1/10W
		NRSA02J-332X	MG RESISTOR,S6700MS 3.3kΩ,1/10W
R2204		NRSA02J-0R0X	MG RESISTOR,S6700MS 0Ω,1/10W
		NRSA02J-102X	MG RESISTOR,S7700MS 1kΩ,1/10W
R2205		NRSA02J-0R0X	MG RESISTOR,S6700MS 0Ω,1/10W
		NRSA02J-102X	MG RESISTOR,S7700MS 1kΩ,1/10W
R2206		QRE141J-101Y	RESISTOR 100Ω,1/4W
R2208		QRE141J-101Y	RESISTOR 100Ω,1/4W
R2209		QRE141J-101Y	RESISTOR 100Ω,1/4W
R2210		NRSA02J-103X	MG RESISTOR 10kΩ,1/10W
R2211		NRSA02J-103X	MG RESISTOR 10kΩ,1/10W
R2213		QRE141J-393Y	RESISTOR 39kΩ,1/4W
R2215		NRSA02J-153X	MG RESISTOR 15kΩ,1/10W
R2217		NRSA02J-0R0X	MG RESISTOR 0Ω,1/10W
R2218		NRSA02J-393X	MG RESISTOR 39kΩ,1/10W
R2219		QRE141J-393Y	RESISTOR 39kΩ,1/4W
R2220		QRE141J-393Y	RESISTOR 39kΩ,1/4W
R2222		NRSA02J-123X	MG RESISTOR 12kΩ,1/10W
R2223		NRSA02J-123X	MG RESISTOR 12kΩ,1/10W
R2224		NRSA02J-123X	MG RESISTOR 12kΩ,1/10W
R2225		NRSA02J-153X	MG RESISTOR 15kΩ,1/10W
R2226		NRSA02J-123X	MG RESISTOR 12kΩ,1/10W
R2227		NRSA02J-123X	MG RESISTOR 12kΩ,1/10W

#	△	REF No.	PART No.	PART NAME, DESCRIPTION	#	△	REF No.	PART No.	PART NAME, DESCRIPTION	
R2228			NRSA02J-103X	MG RESISTOR	10kΩ,1/10W	R3097		NRSA02J-0R0X	MG RESISTOR	0Ω,1/10W
R2229			QRE141J-563Y	RESISTOR	56kΩ,1/4W	R3103		NRSA02J-0R0X	MG RESISTOR	0Ω,1/10W
R2251			NRSA02J-102X	MG RESISTOR	1kΩ,1/10W	R3105		NRSA02J-102X	MG RESISTOR	1kΩ,1/10W
R2252			NRSA02J-472X	MG RESISTOR	4.7kΩ,1/10W	R3106		NRSA02J-102X	MG RESISTOR	1kΩ,1/10W
R3011			QRE141J-0R0Y	RESISTOR	0Ω,1/4W	R3201		NRSA02J-103X	MG RESISTOR	10kΩ,1/10W
R3012			NRSA02J-0R0X	MG RESISTOR	0Ω,1/10W	R3202		NRSA02J-472X	MG RESISTOR	4.7kΩ,1/10W
R3013			NRSA02J-0R0X	MG RESISTOR	0Ω,1/10W	R3203		NRSA02J-103X	MG RESISTOR	10kΩ,1/10W
R3016			QRE141J-0R0Y	RESISTOR	0Ω,1/4W	R3204		NRSA02J-222X	MG RESISTOR	2.2kΩ,1/10W
R3017			QRE141J-0R0Y	RESISTOR	0Ω,1/4W	R3205		QRE141J-181Y	RESISTOR	180Ω,1/4W
R3018			QRE141J-682Y	RESISTOR	6.8kΩ,1/4W	R3206		QRE141J-183Y	RESISTOR	18kΩ,1/4W
R3019			QRE141J-0R0Y	RESISTOR	0Ω,1/4W	R3207		NRSA02J-183X	MG RESISTOR	18kΩ,1/10W
R3022			NRSA02J-0R0X	MG RESISTOR	0Ω,1/10W	R3208		NRSA02J-181X	MG RESISTOR	180Ω,1/10W
R3025			NRSA02J-0R0X	MG RESISTOR	0Ω,1/10W	R3209		NRSA02J-273X	MG RESISTOR	27kΩ,1/10W
R3026			NRSA02J-0R0X	MG RESISTOR	0Ω,1/10W	R3210		NRSA02J-181X	MG RESISTOR	180Ω,1/10W
R3027			NRSA02J-0R0X	MG RESISTOR	0Ω,1/10W	R3211		NRSA02J-273X	MG RESISTOR	27kΩ,1/10W
R3029			NRSA02J-472X	MG RESISTOR	4.7kΩ,1/10W	R3212		NRSA02J-474X	MG RESISTOR	470kΩ,1/10W
R3030			NRSA02J-472X	MG RESISTOR	4.7kΩ,1/10W	R3213		NRSA02J-334X	MG RESISTOR	330kΩ,1/10W
R3031			NRSA02J-0R0X	MG RESISTOR	0Ω,1/10W	R3214		NRSA02J-103X	MG RESISTOR	10kΩ,1/10W
R3032			NRSA02J-0R0X	MG RESISTOR	0Ω,1/10W	R3215		NRSA02J-103X	MG RESISTOR	10kΩ,1/10W
R3038			NRSA02J-152X	MG RESISTOR	1.5kΩ,1/10W	R3216		NRSA02J-103X	MG RESISTOR	10kΩ,1/10W
R3040			NRSA02J-0R0X	MG RESISTOR	0Ω,1/10W	R3217		NRSA02J-562X	MG RESISTOR	5.6kΩ,1/10W
R3041			NRSA02J-472X	MG RESISTOR	4.7kΩ,1/10W	R3218		QRE141J-472Y	RESISTOR	4.7kΩ,1/4W
R3042			NRSA02J-0R0X	MG RESISTOR	0Ω,1/10W	R3219		NRSA02J-472X	MG RESISTOR	4.7kΩ,1/10W
R3044			QRE141J-0R0Y	RESISTOR	0Ω,1/4W	R3220		NRSA02J-104X	MG RESISTOR	100kΩ,1/10W
R3046			QRE141J-102Y	RESISTOR	1kΩ,1/4W	R3222		NRSA02J-472X	MG RESISTOR	4.7kΩ,1/10W
R3047			QRE141J-102Y	RESISTOR	1kΩ,1/4W	R3223		NRSA02J-472X	MG RESISTOR	4.7kΩ,1/10W
R3048			QRE141J-102Y	RESISTOR	1kΩ,1/4W	R3224		NRSA02J-472X	MG RESISTOR	4.7kΩ,1/10W
R3049			NRSA02J-331X	MG RESISTOR	330Ω,1/10W	R3225		NRSA02J-103X	MG RESISTOR	10kΩ,1/10W
R3050			NRSA02J-331X	MG RESISTOR	330Ω,1/10W	R3229		NRSA02J-105X	MG RESISTOR	1MΩ,1/10W
R3051			NRSA02J-471X	MG RESISTOR	470Ω,1/10W	R3230		NRSA02J-472X	MG RESISTOR	4.7kΩ,1/10W
R3052			NRSA02J-471X	MG RESISTOR	470Ω,1/10W	R3231		NRSA02J-102X	MG RESISTOR	1kΩ,1/10W
R3053			NRSA02J-471X	MG RESISTOR	470Ω,1/10W	R3233		NRSA02J-103X	MG RESISTOR	10kΩ,1/10W
R3054			NRSA02J-0R0X	MG RESISTOR	0Ω,1/10W	R3234		NRSA02J-103X	MG RESISTOR	10kΩ,1/10W
R3055			NRSA02J-0R0X	MG RESISTOR	0Ω,1/10W	R3235		NRSA02J-332X	MG RESISTOR	3.3kΩ,1/10W
R3056			NRSA02J-102X	MG RESISTOR	1kΩ,1/10W	R3236		NRSA02J-332X	MG RESISTOR	3.3kΩ,1/10W
R3057			NRSA02J-102X	MG RESISTOR	1kΩ,1/10W	R3237		NRSA02J-103X	MG RESISTOR	10kΩ,1/10W
R3058			NRSA02J-102X	MG RESISTOR	1kΩ,1/10W	R3238		QRE141J-103Y	RESISTOR	10kΩ,1/4W
R3059			NRSA02J-0R0X	MG RESISTOR	0Ω,1/10W	R3239		NRSA02J-103X	MG RESISTOR	10kΩ,1/10W
R3060			NRSA02J-471X	MG RESISTOR	470Ω,1/10W	R3241		NRSA02J-104X	MG RESISTOR	100kΩ,1/10W
R3061			NRSA02J-471X	MG RESISTOR	470Ω,1/10W	R3242		NRSA02J-472X	MG RESISTOR	4.7kΩ,1/10W
R3062			NRSA02J-0R0X	MG RESISTOR	0Ω,1/10W	R3244		NRSA02J-103X	MG RESISTOR	10kΩ,1/10W
R3063			NRSA02J-0R0X	MG RESISTOR	0Ω,1/10W	R3251		NRSA02J-103X	MG RESISTOR	10kΩ,1/10W
R3066			NRSA02J-472X	MG RESISTOR	4.7kΩ,1/10W	R3671		NRSA02J-103X	MG RESISTOR	10kΩ,1/10W
R3069			NRSA02J-101X	MG RESISTOR	100Ω,1/10W	R3672		NRSA02J-103X	MG RESISTOR	10kΩ,1/10W
R3071			NRSA02J-103X	MG RESISTOR	10kΩ,1/10W	R3673		NRSA02J-103X	MG RESISTOR	10kΩ,1/10W
R3072			NRSA02J-0R0X	MG RESISTOR	0Ω,1/10W	R4001		NRSA02J-472X	MG RESISTOR	4.7kΩ,1/10W
R3073			NRSA02J-0R0X	MG RESISTOR	0Ω,1/10W	R4003		NRSA02J-561X	MG RESISTOR	560Ω,1/10W
R3075			NRSA02J-471X	MG RESISTOR	470Ω,1/10W	R4004		NRSA02J-561X	MG RESISTOR	560Ω,1/10W
R3076			NRSA02J-471X	MG RESISTOR	470Ω,1/10W	R4005		NRSA02J-562X	MG RESISTOR	5.6kΩ,1/10W
R3078			NRSA02J-0R0X	MG RESISTOR	0Ω,1/10W	R4007		NRSA02J-102X	MG RESISTOR	1kΩ,1/10W
R3083			NRSA02J-0R0X	MG RESISTOR	0Ω,1/10W	R4008		NRSA02J-102X	MG RESISTOR	1kΩ,1/10W
R3085			NRSA02J-0R0X	MG RESISTOR	0Ω,1/10W	R4009		NRSA02J-102X	MG RESISTOR	1kΩ,1/10W
R3086			NRSA02J-0R0X	MG RESISTOR	0Ω,1/10W	R4010		NRSA02J-103X	MG RESISTOR	10kΩ,1/10W
R3087			NRSA02J-0R0X	MG RESISTOR	0Ω,1/10W	R4011		NRSA02J-472X	MG RESISTOR	4.7kΩ,1/10W
R3088			NRSA02J-0R0X	MG RESISTOR	0Ω,1/10W	R4012		NRSA02J-222X	MG RESISTOR	2.2kΩ,1/10W
R3089			NRSA02J-0R0X	MG RESISTOR	0Ω,1/10W	R4013		NRSA02J-102X	MG RESISTOR	1kΩ,1/10W
R3090			NRSA02J-0R0X	MG RESISTOR	0Ω,1/10W	R4014		NRSA02J-0R0X	MG RESISTOR	0Ω,1/10W
R3091			NRSA02J-102X	MG RESISTOR	1kΩ,1/10W	R4015		NRSA02J-223X	MG RESISTOR	22kΩ,1/10W
R3094			QRE141J-0R0Y	RESISTOR	0Ω,1/4W	R4016		NRSA02J-103X	MG RESISTOR	10kΩ,1/10W
R3095			QRE141J-0R0Y	RESISTOR	0Ω,1/4W	R4017		NRSA02J-102X	MG RESISTOR	1kΩ,1/10W
R3096			QRE141J-0R0Y	RESISTOR	0Ω,1/4W	R4018		NRSA02J-102X	MG RESISTOR	1kΩ,1/10W

#	△ REF No.	PART No.	PART NAME, DESCRIPTION	#	△ REF No.	PART No.	PART NAME, DESCRIPTION
	R4019	NRSA02J-103X	MG RESISTOR 10kΩ,1/10W		C9	QETN1HM-225	E CAPACITOR 2.2μF,50V
	R4020	NRSA02J-103X	MG RESISTOR 10kΩ,1/10W		C10	NDC21HJ-151X	CAPACITOR 150pF,50V
	R4021	NRSA02J-103X	MG RESISTOR 10kΩ,1/10W		C11	NCB21EK-104X	CAPACITOR 0.1μF,25V
	R5101	QRG02GJ-104	OMF RESISTOR 100kΩ,2W		C14	NCB21EK-104X	CAPACITOR 0.1μF,25V
	R5102	QRE141J-4R7Y	RESISTOR 4.7Ω,1/4W		C15	NCB21EK-103X	CAPACITOR 0.01μF,25V
	R5103	NRSA02J-681X	MG RESISTOR 680Ω,1/10W		C16	NCB11EK-104X	CAPACITOR 0.1μF,25V
	R5104	QRG029J-154G	OMF RESISTOR 150kΩ,2W		C17	QEKJ1HM-335	E CAPACITOR 3.3μF,50V
	R5105	QRT01DJ-R39X	MF RESISTOR 0.39Ω,1W		C18	QEKJ1HM-105	E CAPACITOR 1μF,50V
	R5106	NRSA02J-562X	MG RESISTOR 5.6kΩ,1/10W		C19	QEKJ1HM-225	E CAPACITOR 2.2μF,50V
	R5301	QRE141J-1R0Y	RESISTOR,S7700MS 1Ω,1/4W		C20	QEKJ1HM-105	E CAPACITOR 1μF,50V
	R5302	NRSA02J-102X	MG RESISTOR 1kΩ,1/10W		C21	NCB21EK-104X	CAPACITOR 0.1μF,25V
	R5303	NRSA02J-122X	MG RESISTOR 1.2kΩ,1/10W		C22	QEKJ0JM-227	E CAPACITOR 220μF,6.3V
△	R5304	QRZ9005-221X	FUSI RESISTOR 220Ω,1/4W		C23	NCB21EK-104X	CAPACITOR 0.1μF,25V
	R5305	NRSA02J-471X	MG RESISTOR 470Ω,1/10W		C24	NCB21EK-104X	CAPACITOR 0.1μF,25V
	R5306	NRSA02J-683X	MG RESISTOR 68kΩ,1/10W		C25	NDC21HJ-6R0X	CAPACITOR 6pF,50V
	R5307	NRSA02J-102X	MG RESISTOR 1kΩ,1/10W		C26	NCB21EK-104X	CAPACITOR 0.1μF,25V
	R5308	NRSA02J-472X	MG RESISTOR 4.7kΩ,1/10W		C27	NCB21HK-223X	CAPACITOR 0.022μF,50V
	R5309	QRE141J-222Y	RESISTOR 2.2kΩ,1/4W		C28	QEKJ1HM-335	E CAPACITOR 3.3μF,50V
	R5313	QRE141J-222Y	RESISTOR 2.2kΩ,1/4W		C29	NCB21EK-333X	CAPACITOR 0.033μF,25V
	R5314	NRSA02J-102X	MG RESISTOR 1kΩ,1/10W		C30	NCB21CK-474X	CAPACITOR 0.47μF,16V
	R5317	NRSA02J-273X	MG RESISTOR 27kΩ,1/10W		C31	QEKJ0JM-107	E CAPACITOR 100μF,6.3V
	R5318	NRSA02J-273X	MG RESISTOR 27kΩ,1/10W		C32	QCB1HK-103	CAPACITOR 0.01μF,50V
	R5319	QRE141J-221Y	RESISTOR 220Ω,1/4W		C33	QEKJ1HM-225	E CAPACITOR 2.2μF,50V
	R5321	QRE141J-221Y	RESISTOR 220Ω,1/4W		C34	NCB21EK-104X	CAPACITOR 0.1μF,25V
	R5322	NRSA02J-473X	MG RESISTOR 47kΩ,1/10W		C35	NCB21HK-103X	CAPACITOR 0.01μF,50V
	R5323	NRSA02J-473X	MG RESISTOR 47kΩ,1/10W		C36	QEKJ1EM-475	E CAPACITOR 4.7μF,25V
	R5327	NRVA02D-303X	CMF RESISTOR 30kΩ,1/10W		C37	NCB21AK-105X	CAPACITOR 1μF,10V
	R5329	NRSA02J-103X	MG RESISTOR 10kΩ,1/10W		C38	QEKJ0JM-337	E CAPACITOR 330μF,6.3V
	R5330	NRSA02J-103X	MG RESISTOR 10kΩ,1/10W		C39	NCB21EK-104X	CAPACITOR 0.1μF,25V
	R5332	NRSA02J-103X	MG RESISTOR 10kΩ,1/10W		C40	QEKJ1CM-106	E CAPACITOR 10μF,16V
	R6020	NRSA02J-0R0X	MG RESISTOR 0Ω,1/10W		C45	QCFB1HZ-104	CAPACITOR 0.1μF,50V
	R6021	NRSA02J-0R0X	MG RESISTOR 0Ω,1/10W		C53	NDC21HJ-101X	CAPACITOR 100pF,50V
	R6022	NRSA02J-0R0X	MG RESISTOR 0Ω,1/10W		C59	NCB21EK-104X	CAPACITOR 0.1μF,25V
	R6030	NRSA02J-102X	MG RESISTOR 1kΩ,1/10W		C60	QEKJ0JM-227	E CAPACITOR 220μF,6.3V
	R6031	NRSA02J-0R0X	MG RESISTOR 0Ω,1/10W		C61	NCB21HK-103X	CAPACITOR 0.01μF,50V
	R6032	NRSA02J-272X	MG RESISTOR 2.7kΩ,1/10W		C63	NCB21EK-104X	CAPACITOR 0.1μF,25V
	R6033	NRSA02J-182X	MG RESISTOR 1.8kΩ,1/10W		C64	NDC21HJ-220X	CAPACITOR 22pF,50V
	R6060	NRSA02J-103X	MG RESISTOR 10kΩ,1/10W		C65	QEKJ1HM-105	E CAPACITOR 1μF,50V
	R6061	NRSA02J-103X	MG RESISTOR 10kΩ,1/10W		C69	NCB21EK-104X	CAPACITOR,S6700MS 0.1μF,25V
	R6508	NRSA02J-0R0X	MG RESISTOR 0Ω,1/10W		C70	NCB21EK-104X	CAPACITOR,S6700MS 0.1μF,25V
	R6510	NRSA02J-0R0X	MG RESISTOR 0Ω,1/10W		C72	NDC21HJ-470X	CAPACITOR 47pF,50V
	R6553	QRE141J-471Y	RESISTOR 470Ω,1/4W		C73	NDC21HJ-120X	CAPACITOR 12pF,50V
	R6554	QRE141J-471Y	RESISTOR 470Ω,1/4W		C76	NCB21HK-103X	CAPACITOR 0.01μF,50V
	R7202	NRSA02J-221X	MG RESISTOR 220Ω,1/10W		C77	NCB21HK-103X	CAPACITOR 0.01μF,50V
	R7203	NRSA02J-472X	MG RESISTOR 4.7kΩ,1/10W		C78	NCB21HK-103X	CAPACITOR 0.01μF,50V
	R7204	QRE121J-100Y	RESISTOR 10Ω,1/2W		C79	NDC21HJ-390X	CAPACITOR 39pF,50V
	R7251	NRSA02J-750X	MG RESISTOR 75Ω,1/10W		C80	NCB21HK-103X	CAPACITOR 0.01μF,50V
	R7252	NRSA02J-750X	MG RESISTOR 75Ω,1/10W		C84	NRSA02J-472X	MG RESISTOR 4.7kΩ,1/10W
	R7253	NRSA02J-750X	MG RESISTOR 75Ω,1/10W		C93	NDC21HJ-220X	CAPACITOR 22pF,50V
	C1	NCB21EK-103X	CAPACITOR,S6700MS 0.01μF,25V		C94	NRSA02J-0R0X	MG RESISTOR 0Ω,1/10W
		NCB21EK-104X	CAPACITOR,S7700MS 0.1μF,25V		C103	NCB21EK-103X	CAPACITOR 0.01μF,25V
	C2	NCB21EK-103X	CAPACITOR,S6700MS 0.01μF,25V		C106	NCB21HK-821X	CAPACITOR 820pF,50V
		NCB21EK-104X	CAPACITOR,S7700MS 0.1μF,25V		C107	NBE20JM-226X	T CAPACITOR 22μF,6.3V
	C3	NCB21EK-103X	CAPACITOR,S6700MS 0.01μF,25V		C108	NDC21HJ-680X	CAPACITOR 68pF,50V
		NCB21EK-104X	CAPACITOR,S7700MS 0.1μF,25V		C109	NCB21CK-224X	CAPACITOR 0.22μF,16V
	C4	NCB21EK-103X	CAPACITOR,S6700MS 0.01μF,25V		C110	NDC21HJ-820X	CAPACITOR 82pF,50V
		NCB21EK-104X	CAPACITOR,S7700MS 0.1μF,25V		C114	NDC21HJ-181X	CAPACITOR 180pF,50V
	C5	QEKJ0JM-337	E CAPACITOR 330μF,6.3V		C401	NCB21HK-103X	CAPACITOR,S7700MS 0.01μF,50V
	C6	NCB11EK-104X	CAPACITOR 0.1μF,25V		C402	NCB21HK-223X	CAPACITOR,S7700MS 0.022μF,50V
	C7	NCB21HK-102X	CAPACITOR 0.001μF,50V		C403	NDC21HJ-121X	CAPACITOR,S7700MS 120pF,50V
	C8	NCB21EK-104X	CAPACITOR 0.1μF,25V		C404	NDC21HJ-470X	CAPACITOR,S7700MS 47pF,50V

#	△	REF No.	PART No.	PART NAME, DESCRIPTION	#	△	REF No.	PART No.	PART NAME, DESCRIPTION
C406			NCB21HK-102X	CAPACITOR,S7700MS 0.001μF,50V	C3010		QEZ0244-229	EDL CAPACITOR 0.0022F,5.5V	
C407			NDC21HJ-150X	CAPACITOR,S7700MS 15pF,50V	C3012		QEKJ0JM-107	E CAPACITOR 100μF,6.3V	
C2001			QETN1HM-475	E CAPACITOR 4.7μF,50V	C3015		NCB21EK-104X	CAPACITOR 0.1μF,25V	
C2002			QEKJ1CM-106	E CAPACITOR 10μF,16V	C3016		NCB21EK-104X	CAPACITOR 0.1μF,25V	
C2003			QEKJ0JM-476	E CAPACITOR 47μF,6.3V	C3022		NCB21EK-104X	CAPACITOR 0.1μF,25V	
C2004			NCB21HK-103X	CAPACITOR 0.01μF,50V	C3024		NDC21HJ-120X	CAPACITOR 12pF,50V	
C2005			QEKJ1EM-475	E CAPACITOR 4.7μF,25V	C3026		NCB21HK-103X	CAPACITOR 0.01μF,50V	
C2006			NCB21HK-123X	CAPACITOR 0.012μF,50V	C3027		NBE20JM-106X	T CAPACITOR 10μF,6.3V	
C2007			QEKJ1CM-226	E CAPACITOR 22μF,16V	C3030		NBE20JM-226X	T CAPACITOR 22μF,6.3V	
C2008			QERF1EM-475	E CAPACITOR 4.7μF,25V	C3031		NCB21EK-104X	CAPACITOR 0.1μF,25V	
C2009			NCB21HK-102X	CAPACITOR 0.001μF,50V	C3032		NCB21EK-104X	CAPACITOR 0.1μF,25V	
C2010			NCB21HK-152X	CAPACITOR 0.0015μF,50V	C3033		NCB21EK-104X	CAPACITOR 0.1μF,25V	
C2011			QEKJ1EM-475	E CAPACITOR 4.7μF,25V	C3036		NDC21HJ-180X	CAPACITOR 18pF,50V	
C2012			QEKJ1EM-475	E CAPACITOR 4.7μF,25V	C3037		NDC21HJ-120X	CAPACITOR 12pF,50V	
C2013			NCB21HK-331X	CAPACITOR 330pF,50V	C3040		QDYB1CM-103Y	CAPACITOR 0.01μF,16V	
C2051			NCB21HK-331X	CAPACITOR 330pF,50V	C3041		NDC21HJ-100X	CAPACITOR 10pF,50V	
C2052			QFN31HJ-333	F CAPACITOR 0.033μF,50V	C3042		QETJ0JM-477	E CAPACITOR 470μF,6.3V	
C2061			QFLC1HJ-333Z	F CAPACITOR,S7700MS 0.033μF,50V	C3602		NCB21EK-104X	CAPACITOR 0.1μF,25V	
C2062			NCB21HK-332X	CAPACITOR,S7700MS 0.0033μF,50V	C3652		NCB21EK-104X	CAPACITOR 0.1μF,25V	
C2063			NCB21HK-103X	CAPACITOR,S7700MS 0.01μF,50V	C4002		NCB21EK-104X	CAPACITOR 0.1μF,25V	
C2064			QEKJ1CM-106	E CAPACITOR,S7700MS 10μF,16V	C4003		NCB21HK-102X	CAPACITOR 0.001μF,50V	
C2201			NCB21EK-104X	CAPACITOR 0.1μF,25V	C4004		NBE20JM-226X	T CAPACITOR 22μF,6.3V	
C2202			NCB21EK-333X	CAPACITOR 0.033μF,25V	C4006		NBE40JM-476X	T CAPACITOR 47μF,6.3V	
C2203			QEKJ1CM-106	E CAPACITOR 10μF,16V	C4007		NCB21HK-102X	CAPACITOR 0.001μF,50V	
C2204			QDGB1HK-102Y	CAPACITOR 0.001μF,50V	C4008		NCB21AK-105X	CAPACITOR 1μF,10V	
C2207			QEKJ1CM-476	E CAPACITOR 47μF,16V	C4009		NCB21HK-563X	CAPACITOR 0.056μF,50V	
C2208			QETN1HM-475	E CAPACITOR 4.7μF,50V	C4010		NCB21EK-223X	CAPACITOR 0.022μF,25V	
C2209			QERF1HM-104	E CAPACITOR,S7700MS 0.1μF,50V	C4011		NCB21EK-104X	CAPACITOR 0.1μF,25V	
			QERF1CM-106	E CAPACITOR,S6700MS 10μF,16V	C4012		NCB21EK-224X	CAPACITOR 0.22μF,25V	
C2210			QEKJ1CM-106	E CAPACITOR,S6700MS 10μF,16V	C4013		NCB21HK-563X	CAPACITOR 0.056μF,50V	
			QEKJ1HM-104	E CAPACITOR,S7700MS 0.1μF,50V	C4014		NDC21HJ-101X	CAPACITOR 100pF,50V	
C2211			QERF1HM-105	E CAPACITOR,S7700MS 1μF,50V	C4015		NCB21HK-102X	CAPACITOR 0.001μF,50V	
C2212			QEKJ1HM-105	E CAPACITOR,S7700MS 1μF,50V	C4017		NCB21HK-222X	CAPACITOR 0.0022μF,50V	
C2213			QEKJ1CM-106	E CAPACITOR 10μF,16V	△ C5001		QFZ9073-683	F CAPACITOR 0.068μF,250V	
C2214			QEKJ1CM-106	E CAPACITOR 10μF,16V	△ C5002		QFZ9051-333	F CAPACITOR 0.033μF,250V	
C2215			QERF1EM-475	E CAPACITOR 4.7μF,25V	△ C5004		QCZ9071-222	CAPACITOR 0.0022μF,400V	
C2216			QEKJ1HM-474	E CAPACITOR 0.47μF,50V	C5006		QEZ0375-686	E CAPACITOR 68μF,400V	
C2217			QEKJ1CM-106	E CAPACITOR 10μF,16V	C5101		QCZ0212-472	CAPACITOR 0.0047μF,1kV	
C2218			QEKJ1HM-474	E CAPACITOR 0.47μF,50V	C5102		QEMU1VM-276	E CAPACITOR 27μF,35V	
C2219			QEKJ1CM-106	E CAPACITOR 10μF,16V	C5103		QCZ0302-330Z	CAPACITOR 33pF,1kV	
C2220			QEKJ1EM-475	E CAPACITOR 4.7μF,25V	C5104		QFLC1HJ-471Z	F CAPACITOR 470pF,50V	
C2221			NCB21HK-103X	CAPACITOR 0.01μF,50V	C5201		QEMU0JM-227	E CAPACITOR 220μF,6.3V	
C2222			QEKJ1HM-474	E CAPACITOR 0.47μF,50V	C5202		QEMT1CM-827	E CAPACITOR 820μF,16V	
C2223			QEKJ1HM-474	E CAPACITOR 0.47μF,50V	C5203		QEMT1AM-228	E CAPACITOR 2200μF,10V	
C2224			NCB21HK-103X	CAPACITOR 0.01μF,50V	C5204		QETN2AM-475	E CAPACITOR 4.7μF,100V	
C2225			QEKJ1EM-475	E CAPACITOR 4.7μF,25V	C5205		QETN1HM-106	E CAPACITOR 10μF,50V	
C2226			QEKJ1CM-106	E CAPACITOR 10μF,16V	C5206		QEMU1EM-187	E CAPACITOR 180μF,25V	
C2227			NCB21CK-104X	CAPACITOR 0.1μF,16V	C5207		QETN1CM-227	E CAPACITOR 220μF,16V	
C2228			NCB21CK-104X	CAPACITOR 0.1μF,16V	C5208		QETN1AM-227	E CAPACITOR 220μF,10V	
C2229			NDC21HJ-101X	CAPACITOR 100pF,50V	C5213		QEMU0JM-227	E CAPACITOR 220μF,6.3V	
C2230			NDC21HJ-101X	CAPACITOR 100pF,50V	C5301		QETM0JM-108	E CAPACITOR 1000μF,6.3V	
C2251			QEKJ1CM-476	E CAPACITOR 47μF,16V	C5303		QETN1CM-107	E CAPACITOR 100μF,16V	
C2252			NCB21HK-103X	CAPACITOR 0.01μF,50V	C5304		QFVF1HJ-274Z	F CAPACITOR 0.27μF,50V	
C2253			NCB21CK-104X	CAPACITOR 0.1μF,16V	C5305		NCB21HK-103X	CAPACITOR 0.01μF,50V	
C2254			NCB21CK-104X	CAPACITOR 0.1μF,16V	C5306		QEKJ0JM-107	E CAPACITOR 100μF,6.3V	
C2255			NDC21HJ-181X	CAPACITOR 180pF,50V	C5307		QEKJ0JM-476	E CAPACITOR 47μF,6.3V	
C3001			NCB21EK-104X	CAPACITOR 0.1μF,25V	C5308		QETN1CM-107	E CAPACITOR 100μF,16V	
C3002			NCB21HK-103X	CAPACITOR 0.01μF,50V	C5309		QETN1CM-107	E CAPACITOR 100μF,16V	
C3003			QEKJ1CM-106	E CAPACITOR 10μF,16V	C6006		NCB21HK-103X	CAPACITOR 0.01μF,50V	
C3004			NCB21EK-104X	CAPACITOR 0.1μF,25V	C6007		QEMU0JM-227	E CAPACITOR 220μF,6.3V	
C3008			NCB21HK-102X	CAPACITOR 0.001μF,50V	C6008		NCB21HK-103X	CAPACITOR 0.01μF,50V	

#	△ REF No.	PART No.	PART NAME, DESCRIPTION	
C6014		NCB21HK-103X	CAPACITOR	0.01μF,50V
C6016		NCB21HK-103X	CAPACITOR	0.01μF,50V
C6023		NCB21HK-103X	CAPACITOR	0.01μF,50V
C6033		NRSA02J-0R0X	MG RESISTOR	0Ω,1/10W
C6037		NBE20JM-106X	T CAPACITOR	10μF,6.3V
C6553		QEKJ0JM-107	E CAPACITOR	100μF,6.3V
C6555		NDC21HJ-1R0X	CAPACITOR	1pF,50V
C7202		QETJ0JM-477	E CAPACITOR	470μF,6.3V
C7251		NRSA02J-0R0X	MG RESISTOR	0Ω,1/10W
L1		QQL29BJ-100Z	COIL	10μH
L3		QQL29BJ-100Z	COIL	10μH
L4		QQL29BJ-100Z	COIL	10μH
L5		QQR0657-019Z	NOISE FILTER	
L12		QQR0967-001	COIL	12μH
L13		QQL071J-330Y	COIL	33μH
L14		QQL071J-101Y	COIL	100μH
L15		QQL29BJ-100Z	COIL	10μH
L17		QQL071J-5R6Y	COIL	5.6μH
L18		QQL071J-220Y	COIL	22μH
L19		QQL071J-120Y	COIL	12μH
L20		QQL071J-680Y	COIL	68μH
L24		QQL071J-270Y	COIL	27μH
L25		QQL29BJ-100Z	COIL	10μH
L27		QQL071J-330Y	COIL	33μH
L28		QQL071J-680Y	COIL	68μH
L401		QQL071J-150Y	COIL,S7700MS	15μH
L2251		QQL29BJ-100Z	COIL	10μH
L2252		QQL29BJ-151Z	COIL	150μH
L5201		PELN1184	COIL	33μH
L5202		PU60944-330K	COIL	33μH
L6002		QQL29BJ-100Z	COIL	10μH
L6005		QQL29BJ-100Z	COIL	10μH
L6031		NRSA02J-0R0X	MG RESISTOR	0Ω,1/10W
L7201		QQL01BJ-101Z	COIL	100μH
X1		QAX0576-001	CRYSTAL RESONATOR	
X3001		QAX0444-001	CRYSTAL RESONATOR	
X3002		QAX0527-001	CRYSTAL RESONATOR	
S3002		QSW0695-001	PUSH SWITCH,S CASS SW	
K2251		NRSA02J-0R0X	MG RESISTOR	0Ω,1/10W
K2252		NRSA02J-0R0X	MG RESISTOR	0Ω,1/10W
K2253		NRSA02J-0R0X	MG RESISTOR	0Ω,1/10W
K5101		QQR0678-001Z	FERRITE BEAD	
PC3001		GP3S123	IC(PHOTO SENSOR)	
PC3002		GP3S123	IC(PHOTO SENSOR)	
△ PC5101		PC123F2	PH COUPLER	
T2052		PELN0861	OSC TRANSFORMER,S7700MS	
△ T5001		QQS0052-001	SW TRANSFORMER	
TU6001		QAU0175-001	TUNER	
ET1		PQ21623-1-5	EARTH PLATE(RF)	
ET2		LP40658-001A	EARTH PLATE(1)	
HS1		LP40621-001A	HEAT SINK,IC5101	
HS2		LP40479-001B	HEAT SINK,IC5301	
SD1		LP30720-001A	SHIELD CASE(PRE/REC)	
OT1		QYTDST3010Z	SCREW,X2	
OT2		PU59915-105	#500SPACER0.01,C45	
OT3		QYTDST3008Z	SCREW,IC5101	
OT4		QYTDST3006Z	SCREW,IC5301	
WR101		QRE141J-0R0	RESISTOR,M/I	0Ω,1/4W
FC5001		QNG0006-001Z	FUSE CLIP,F5001	
FC5002		QNG0006-001Z	FUSE CLIP,F5001	
△ LF5001		PELN1204-01-01	LINE FILTER	

#	△ REF No.	PART No.	PART NAME, DESCRIPTION	
△ LF5002		QQR0608-001	LINE FILTER	
CN1		QGF1028C1-11	FPC CONNECTOR,(4-14)U.DRUM,S6700MS	
		QGF1028C1-13	FPC CONNECTOR,(4-16)U.DRUM,S7700MS	
CN901		QGF1207C1-04	FPC CONNECTOR,(1-4)FRONT S IN	
CN902		QGF1207C1-05	FPC CONNECTOR,(1-5)F_IN	
CN903		QGB2024K1-12S	CONNECTOR,(1-12)TERMINAL	
CN904		QGB2024K1-12S	CONNECTOR,(1-12)TERMINAL	
CN905		QGB2024K1-05S	CONNECTOR,(1-5)TERMINAL	
CN907		QGB2024K1-10S	CONNECTOR,(1-10)TERMINAL	
CN2001		QGF1207C1-07	FPC CONNECTOR,(1-7)A/C HEAD	
CN2002		QGB2532J1-02	CONNECTOR,(1-2)FE HEAD	
CN2051		QGB2024K1-04S	CONNECTOR,(1-4)AUDIO ERASE	
CN3001		QGF1207C1-05	FPC CONNECTOR,(1-5)DRUM MDA	
CN3002		QGB2532J1-02	CONNECTOR,(1-2)LOADING MOTOR	
CN3003		QGB2015M2-08	CONNECTOR,(1-8)CAPSTAN MOTOR	
CN3004		QGB2534J2-04	CONNECTOR,(1-4)ROTARY ENCODER	
CN3011		QGF1207C1-14	FPC CONNECTOR,(1-14)FRONT	
CN3012		QGF1207C1-06	FPC CONNECTOR,(1-6)JOG,S7700MS	
△ CN5001		QGA7901C3-02	CONNECTOR,(1-2)AC IN	
CN6102		QGF1207C1-04	FPC CONNECTOR,(5-8)BS/PS	
△ CP4001		ICP-N25	CIRCUIT PROTECTOR	
△ CP5301		ICP-N38	CIRCUIT PROTECTOR	
△ CP5302		ICP-N25	CIRCUIT PROTECTOR	
△ F5001		QMF51E2-2R0J1	FUSE	T2.0A,AC250V

2D DIGITAL BOARD ASSEMBLY(S6700MS)<05>

PW1	LPA10090-02C	2D DIGITAL BOARD ASSY	
IC1201	JCP8036	IC	
△ Q1201	2SC1317/RS/T	TRANSISTOR	
Q1202	2SA1576A/QR/-X	TRANSISTOR	
	or 2PA1576/R/-X	TRANSISTOR	
Q1203	2SA1576A/QR/-X	TRANSISTOR	
	or 2PA1576/R/-X	TRANSISTOR	
Q1204	2SC4081/QRS/-X	TRANSISTOR	
	or 2PC4081/R/-X	TRANSISTOR	
Q1205	2SC4081/S/-X	TRANSISTOR	
Q1206	2SC4081/QRS/-X	TRANSISTOR	
	or 2PC4081/R/-X	TRANSISTOR	
D1201	RD4.3ES/B3/-T2	ZENER DIODE	
R1201	NRSA02J-121X	MG RESISTOR	120Ω,1/10W
R1202	NRSA02J-101X	MG RESISTOR	100Ω,1/10W
R1203	NRSA02J-471X	MG RESISTOR	470Ω,1/10W
R1204	NRSA02J-471X	MG RESISTOR	470Ω,1/10W
R1205	NRSA02J-102X	MG RESISTOR	1kΩ,1/10W
R1206	NRSA02J-561X	MG RESISTOR	560Ω,1/10W
R1207	NRSA02J-562X	MG RESISTOR	5.6kΩ,1/10W
R1208	NRSA02J-123X	MG RESISTOR	12kΩ,1/10W
R1209	NRSA02J-180X	MG RESISTOR	18Ω,1/10W
R1210	NRSA02J-393X	MG RESISTOR	39kΩ,1/10W
R1211	NRSA02J-103X	MG RESISTOR	10kΩ,1/10W
R1212	NRSA02J-102X	MG RESISTOR	1kΩ,1/10W
R1213	NRSA02J-331X	MG RESISTOR	330Ω,1/10W
R1214	NRSA02J-101X	MG RESISTOR	100Ω,1/10W
R1215	NRSA02J-102X	MG RESISTOR	1kΩ,1/10W
R1216	NRSA02J-331X	MG RESISTOR	330Ω,1/10W

#	REF No.	PART No.	PART NAME, DESCRIPTION	
R1217		NRSA02J-101X	MG RESISTOR	100Ω,1/10W
R1218		NRSA02J-301X	MG RESISTOR	300Ω,1/10W
R1222		NRSA02J-471X	MG RESISTOR	470Ω,1/10W
R1224		NRSA02J-561X	MG RESISTOR	560Ω,1/10W
R1225		NRSA02J-273X	MG RESISTOR	27kΩ,1/10W
R1226		NRSA02J-153X	MG RESISTOR	15kΩ,1/10W
R1227		NRSA02J-561X	MG RESISTOR	560Ω,1/10W
R1228		NRSA02J-391X	MG RESISTOR	390Ω,1/10W
R1230		NRSA02J-0R0X	MG RESISTOR	0Ω,1/10W
R1231		NRSA02J-0R0X	MG RESISTOR	0Ω,1/10W
R1232		NRSA02J-0R0X	MG RESISTOR	0Ω,1/10W
R1233		NRSA02J-0R0X	MG RESISTOR	0Ω,1/10W
VR1201		QVZ3521-103Z	V RESISTOR,D/A LEVEL ADJ	
C1201		QEKJ1CM-336	E CAPACITOR	33μF,16V
C1202		NCB21HK-103X	CAPACITOR	0.01μF,50V
C1206		NDC21HJ-470X	CAPACITOR	47pF,50V
C1207		NDC21HJ-470X	CAPACITOR	47pF,50V
C1208		NDC21HJ-470X	CAPACITOR	47pF,50V
C1210		NDC21HJ-330X	CAPACITOR	33pF,50V
C1211		QEKJ0JM-107	E CAPACITOR	100μF,6.3V
C1212		NCB21HK-102X	CAPACITOR	0.001μF,50V
C1213		NCF21EZ-104X	CAPACITOR	0.1μF,25V
C1214		NCF21CZ-105X	CAPACITOR	1μF,16V
C1215		QEKJ0JM-337	E CAPACITOR	330μF,6.3V
C1216		NCF21EZ-104X	CAPACITOR	0.1μF,25V
C1217		NCF21EZ-104X	CAPACITOR	0.1μF,25V
C1218		NCF21EZ-104X	CAPACITOR	0.1μF,25V
C1219		NCF21CZ-105X	CAPACITOR	1μF,16V
C1220		QEKJ0JM-337	E CAPACITOR	330μF,6.3V
C1221		NCB21HK-103X	CAPACITOR	0.01μF,50V
C1222		NDC21HJ-680X	CAPACITOR	68pF,50V
C1223		NDC21HJ-270X	CAPACITOR	27pF,50V
C1224		NCB21HK-103X	CAPACITOR	0.01μF,50V
C1225		NDC21HJ-680X	CAPACITOR	68pF,50V
C1226		NDC21HJ-270X	CAPACITOR	27pF,50V
C1227		NCB21EK-104X	CAPACITOR	0.1μF,25V
C1228		QEKJ1EM-475	E CAPACITOR	4.7μF,25V
C1229		NCB21HK-103X	CAPACITOR	0.01μF,50V
C1230		NCF21EZ-104X	CAPACITOR	0.1μF,25V
C1231		NCF21EZ-104X	CAPACITOR	0.1μF,25V
C1232		NCF21EZ-104X	CAPACITOR	0.1μF,25V
C1233		QDYB1CM-103Y	CAPACITOR	0.01μF,16V
C1234		NCF21EZ-104X	CAPACITOR	0.1μF,25V
C1235		QEKJ0JM-337	E CAPACITOR	330μF,6.3V
C1236		NCF21EZ-104X	CAPACITOR	0.1μF,25V
C1237		NCF21EZ-104X	CAPACITOR	0.1μF,25V
C1238		NDC21HJ-180X	CAPACITOR	18pF,50V
C1239		NDC21HJ-560X	CAPACITOR	56pF,50V
C1241		NCB21HK-103X	CAPACITOR	0.01μF,50V
C1243		NCB21HK-103X	CAPACITOR	0.01μF,50V
C1244		QEKJ1EM-475	E CAPACITOR	4.7μF,25V
C1245		NDC21HJ-150X	CAPACITOR	15pF,50V
C1246		QEKJ0JM-476	E CAPACITOR	47μF,6.3V
C1248		NCB21HK-103X	CAPACITOR	0.01μF,50V
L1201		QQL071J-1R0Y	COIL	1μH
L1202		QQL29BJ-101Z	COIL	100μH
L1203		QQL29BJ-101Z	COIL	100μH
L1204		QQL29BJ-101Z	COIL	100μH
L1205		QQL071J-6R8Y	COIL	6.8μH
L1206		QQL071J-6R8Y	COIL	6.8μH
L1207		QQL29BJ-101Z	COIL	100μH

#	REF No.	PART No.	PART NAME, DESCRIPTION	
L1208		QQL071J-150Y	COIL	15μH
LC1201		QQL29BJ-100Z	COIL	10μH
SD1		LP30706-001B	SHIELD FRAME(S VHS)	
SD2		LP30684-001A	SHIELD CASE(S VHS)	
CN1201		QGG2502K1-17	HEADER PIN	

3D DIGITAL/2M BOARD ASSEMBLY(S7700MS) <05>

PW1		LPA10105-01C	3D DIGITAL/2M BOARD ASSY	
IC1401		JCP8026	IC	
Q1401		2SC1317/RS/-T	TRANSISTOR	
Q1402		2SA1576A/QR/-X	TRANSISTOR	
		or 2PA1576/R/-X	TRANSISTOR	
Q1403		2SA1576A/QR/-X	TRANSISTOR	
		or 2PA1576/R/-X	TRANSISTOR	
Q1404		DTC144WU	TRANSISTOR	
		or RN1309	TRANSISTOR	
		or UN521E	TRANSISTOR	
Q1406		2SA1576A/QR/-X	TRANSISTOR	
		or 2PA1576/R/-X	TRANSISTOR	
Q1407		2SA1576A/QR/-X	TRANSISTOR	
		or 2PA1576/R/-X	TRANSISTOR	
Q1408		2SC4081/S/-X	TRANSISTOR	
Q1410		2SC4081/QRS/-X	TRANSISTOR	
		or 2PC4081/R/-X	TRANSISTOR	
Q1412		2SC4081/QRS/-X	TRANSISTOR	
		or 2PC4081/R/-X	TRANSISTOR	
Q1413		2SA1576A/QR/-X	TRANSISTOR	
		or 2PA1576/R/-X	TRANSISTOR	
Q1414		DTC144WU	TRANSISTOR	
		or UN521E	TRANSISTOR	
		or RN1309	TRANSISTOR	
Q1417		2SC4081/QRS/-X	TRANSISTOR	
		or 2PC4081/R/-X	TRANSISTOR	
Q1418		2SA1576A/QR/-X	TRANSISTOR	
		or 2PA1576/R/-X	TRANSISTOR	
Q1419		DTC124TU	TRANSISTOR	
Q1420		2SC4081/QRS/-X	TRANSISTOR	
		or 2PC4081/R/-X	TRANSISTOR	
D1401		RD4.3ES/B2/-T2	ZENER DIODE	
		or MTZJ4.3B	ZENER DIODE	
D1402		1SS133	DIODE	
		or 1N4148M	DIODE	
R1401		NRSA02J-181X	MG RESISTOR	180Ω,1/10W
R1402		NRSA02J-101X	MG RESISTOR	100Ω,1/10W
R1404		NRSA02J-182X	MG RESISTOR	1.8kΩ,1/10W
R1406		NRSA02J-471X	MG RESISTOR	470Ω,1/10W
R1407		NRSA02J-272X	MG RESISTOR	2.7kΩ,1/10W
R1408		NRSA02J-122X	MG RESISTOR	1.2kΩ,1/10W
R1410		NRSA02J-391X	MG RESISTOR	390Ω,1/10W
R1411		NRSA02J-152X	MG RESISTOR	1.5kΩ,1/10W
R1413		NRSA02J-331X	MG RESISTOR	330Ω,1/10W
R1414		NRSA02J-821X	MG RESISTOR	820Ω,1/10W
R1415		NRSA02J-221X	MG RESISTOR	220Ω,1/10W
R1416		NRSA02J-104X	MG RESISTOR	100kΩ,1/10W
R1417		NRSA02J-101X	MG RESISTOR	100Ω,1/10W
R1418		NRSA02J-471X	MG RESISTOR	470Ω,1/10W

#	△ REF No.	PART No.	PART NAME, DESCRIPTION
R1421		NRSA02J-391X	MG RESISTOR 390Ω,1/10W
R1426		NRSA02J-561X	MG RESISTOR 560Ω,1/10W
R1427		NRSA02J-333X	MG RESISTOR 33kΩ,1/10W
R1428		NRSA02J-393X	MG RESISTOR 39kΩ,1/10W
R1429		NRSA02J-152X	MG RESISTOR 1.5kΩ,1/10W
R1430		NRSA02J-222X	MG RESISTOR 2.2kΩ,1/10W
R1431		NRSA02J-821X	MG RESISTOR 820Ω,1/10W
R1432		NRSA02J-182X	MG RESISTOR 1.8kΩ,1/10W
R1433		NRSA02J-510X	MG RESISTOR 51Ω,1/10W
R1434		NRSA02J-153X	MG RESISTOR 15kΩ,1/10W
R1435		NRSA02J-223X	MG RESISTOR 22kΩ,1/10W
R1436		NRSA02J-682X	MG RESISTOR 6.8kΩ,1/10W
R1437		NRSA02J-392X	MG RESISTOR 3.9kΩ,1/10W
R1438		NRSA02J-473X	MG RESISTOR 47kΩ,1/10W
R1439		NRSA02J-273X	MG RESISTOR 27kΩ,1/10W
R1440		NRSA02J-473X	MG RESISTOR 47kΩ,1/10W
R1441		NRSA02J-682X	MG RESISTOR 6.8kΩ,1/10W
R1442		NRSA02J-682X	MG RESISTOR 6.8kΩ,1/10W
R1446		NRSA02J-102X	MG RESISTOR 1kΩ,1/10W
R1447		NRSA02J-102X	MG RESISTOR 1kΩ,1/10W
R1448		NRSA02J-102X	MG RESISTOR 1kΩ,1/10W
R1449		NRSA02J-102X	MG RESISTOR 1kΩ,1/10W
R1450		NRSA02J-102X	MG RESISTOR 1kΩ,1/10W
R1452		NRSA02J-471X	MG RESISTOR 470Ω,1/10W
R1453		NRSA02J-102X	MG RESISTOR 1kΩ,1/10W
R1454		NRSA02J-102X	MG RESISTOR 1kΩ,1/10W
R1455		NRSA02J-681X	MG RESISTOR 680Ω,1/10W
R1458		NRSA02J-681X	MG RESISTOR 680Ω,1/10W
R1459		NRSA02J-681X	MG RESISTOR 680Ω,1/10W
R1460		NRSA02J-273X	MG RESISTOR 27kΩ,1/10W
R1461		NRSA02J-121X	MG RESISTOR 120Ω,1/10W
R1463		NRSA02J-101X	MG RESISTOR 100Ω,1/10W
VR1401		QVZ3521-103Z	V RESISTOR,D/A LEVEL ADJ
C1401		QEKJ1CM-336	E CAPACITOR 33μF,16V
C1402		NCF21EZ-103X	CAPACITOR 0.01μF,50V
C1403		QEKJ0JM-337	E CAPACITOR 330μF,6.3V
C1404		NCF21EZ-104X	CAPACITOR 0.1μF,25V
C1405		NCF21EZ-104X	CAPACITOR 0.1μF,25V
C1406		NCB21HK-103X	CAPACITOR 0.01μF,50V
C1407		NDC21HJ-680X	CAPACITOR 68pF,50V
C1408		NDC21HJ-330X	CAPACITOR 33pF,50V
C1410		QEKJ1EM-475	E CAPACITOR 4.7μF,25V
C1411		NCF21EZ-104X	CAPACITOR 0.1μF,25V
C1412		NDC21HJ-680X	CAPACITOR 68pF,50V
C1413		NDC21HJ-330X	CAPACITOR 33pF,50V
C1415		NCF21EZ-104X	CAPACITOR 0.1μF,25V
C1416		QEKJ1CM-106	E CAPACITOR 10μF,16V
C1417		NCF21EZ-104X	CAPACITOR 0.1μF,25V
C1421		NDC21HJ-330X	CAPACITOR 33pF,50V
C1422		NDC21HJ-680X	CAPACITOR 68pF,50V
C1423		NCF21EZ-104X	CAPACITOR 0.1μF,25V
C1424		NCB21HK-103X	CAPACITOR 0.01μF,50V
C1425		NCB21HK-103X	CAPACITOR 0.01μF,50V
C1426		NDC21HJ-390X	CAPACITOR 39pF,50V
C1428		NDC21HJ-220X	CAPACITOR 22pF,50V
C1429		QEKJ0JM-337	E CAPACITOR 330μF,6.3V
C1430		NCF21EZ-104X	CAPACITOR 0.1μF,25V
C1432		NCF21CZ-105X	CAPACITOR 1μF,16V
C1433		NCF21EZ-104X	CAPACITOR 0.1μF,25V
C1435		NCF21EZ-104X	CAPACITOR 0.1μF,25V
C1436		NCF21EZ-104X	CAPACITOR 0.1μF,25V

#	△ REF No.	PART No.	PART NAME, DESCRIPTION
C1437		NCF21EZ-104X	CAPACITOR 0.1μF,25V
C1438		NCF21EZ-104X	CAPACITOR 0.1μF,25V
C1439		NCF21CZ-105X	CAPACITOR 1μF,16V
C1440		NCF21EZ-104X	CAPACITOR 0.1μF,25V
C1441		NCF21EZ-104X	CAPACITOR 0.1μF,25V
C1442		NCF21CZ-105X	CAPACITOR 1μF,16V
C1444		NCF21EZ-104X	CAPACITOR 0.1μF,25V
C1445		NCF21EZ-104X	CAPACITOR 0.1μF,25V
C1446		QEKJ0JM-107	E CAPACITOR 100μF,6.3V
C1447		NCF21EZ-104X	CAPACITOR 0.1μF,25V
C1448		QEKJ0JM-337	E CAPACITOR 330μF,6.3V
C1449		NCF21EZ-104X	CAPACITOR 0.1μF,25V
C1450		NCF21EZ-104X	CAPACITOR 0.1μF,25V
C1451		QEKJ1EM-475	E CAPACITOR 4.7μF,25V
C1452		NCF21EZ-104X	CAPACITOR 0.1μF,25V
C1453		NCF21EZ-104X	CAPACITOR 0.1μF,25V
C1454		NCF21EZ-104X	CAPACITOR 0.1μF,25V
C1455		NCF21EZ-104X	CAPACITOR 0.1μF,25V
C1459		NDC21HJ-470X	CAPACITOR 47pF,50V
C1460		NDC21HJ-470X	CAPACITOR 47pF,50V
C1461		NDC21HJ-470X	CAPACITOR 47pF,50V
C1462		NDC21HJ-470X	CAPACITOR 47pF,50V
C1463		QEKJ0JM-336	E CAPACITOR 33μF,6.3V
C1465		NDC21HJ-470X	CAPACITOR 47pF,50V
C1466		NDC21HJ-470X	CAPACITOR 47pF,50V
C1467		NDC21HJ-470X	CAPACITOR 47pF,50V
C1468		NDC21HJ-101X	CAPACITOR 100pF,50V
C1470		NDC21HJ-330X	CAPACITOR 33pF,50V
C1471		NCF21EZ-104X	CAPACITOR 0.1μF,25V
C1472		NCF21EZ-104X	CAPACITOR 0.1μF,25V
C1473		NCF21EZ-104X	CAPACITOR 0.1μF,25V
L1401		QQL29BJ-100Z	COIL 10μH
L1402		QQL071J-6R8Y	COIL 6.8μH
L1403		QQL071J-6R8Y	COIL 6.8μH
L1404		QQL071J-6R8Y	COIL 6.8μH
L1405		QQL29BJ-100Z	COIL 10μH
L1406		QQL071J-330Y	COIL 33μH
L1407		QQL29BJ-100Z	COIL 10μH
L1409		QQL071J-1R0Y	COIL 1μH
LC1401		QQR0657-013Z	NOISE FILTER
LC1402		QQR0657-010Z	NOISE FILTER
SD1		LP30706-001B	SHIELD FRAME(S-VHS)
SD2		LP30684-001A	SHIELD CASE(S-VHS)
CN1401		QGG2502K1-17	HEADER PIN,(1-7)MAIN

TERMINAL BOARD ASSEMBLY <06>

PW1	LPA10100-06A	TERMINAL BOARD ASSY,S6700MS
	LPA10100-07A	TERMINAL BOARD ASSY,S7700MS
IC201	LC74775-9750	IC
IC901	BH7636S	IC
Q207	2SB1218A/QR/-X	TRANSISTOR
	or 2SA1576A/QR/-X	TRANSISTOR
	or 2PA1576/R/-X	TRANSISTOR
Q901	UN5211	TRANSISTOR

#	△ REF No.	PART No.	PART NAME, DESCRIPTION	#	△ REF No.	PART No.	PART NAME, DESCRIPTION
		or RN1302	TRANSISTOR	R914		NQL402M-100X	COIL 10μH
		or DTC114EU	TRANSISTOR	R915		NQL402M-100X	COIL 10μH
		or PDTC114EU	TRANSISTOR	R916		NRSA02J-102X	MG RESISTOR 1kΩ,1/10W
Q902		2SB1218A/QR/-X	TRANSISTOR	R917		NRSA02J-0R0X	MG RESISTOR 0Ω,1/10W
		or 2PA1576/R/-X	TRANSISTOR	R918		NRSA02J-0R0X	MG RESISTOR 0Ω,1/10W
		or 2SA1576A/QR/-X	TRANSISTOR	R919		NRSA02J-101X	MG RESISTOR 100Ω,1/10W
Q903		2SB1218A/QR/-X	TRANSISTOR	R920		NRSA02J-0R0X	MG RESISTOR 0Ω,1/10W
		or 2SA1576A/QR/-X	TRANSISTOR	R921		QRE123J-391X	RESISTOR 390Ω,1/2W
		or 2PA1576/R/-X	TRANSISTOR	R922		QRE123J-391X	RESISTOR 390Ω,1/2W
Q904		2SB1218A/QR/-X	TRANSISTOR	R923		NRSA02J-750X	MG RESISTOR 75Ω,1/10W
		or 2PA1576/R/-X	TRANSISTOR	R924		NRSA02J-750X	MG RESISTOR 75Ω,1/10W
		or 2SA1576A/QR/-X	TRANSISTOR	R931		NRSA02J-101X	MG RESISTOR 100Ω,1/10W
Q905		2SD1819A/QRS/-X	TRANSISTOR	R932		NRSA02J-511X	MG RESISTOR 510Ω,1/10W
		or 2SC4081/QRS/-X	TRANSISTOR	R933		NRSA02J-471X	MG RESISTOR 470Ω,1/10W
		or 2PC4081/R/-X	TRANSISTOR	R934		NRSA02J-101X	MG RESISTOR 100Ω,1/10W
Q906		2SD1819A/QRS/-X	TRANSISTOR	R935		QRE141J-101Y	RESISTOR 100Ω,1/4W
		or 2PC4081/R/-X	TRANSISTOR	R936		NRSA02J-101X	MG RESISTOR 100Ω,1/10W
		or 2SC4081/QRS/-X	TRANSISTOR	R937		QRE141J-101Y	RESISTOR 100Ω,1/4W
Q907		2SD1819A/QRS/-X	TRANSISTOR	R938		QRE141J-101Y	RESISTOR 100Ω,1/4W
		or 2SC4081/QRS/-X	TRANSISTOR	R939		QRE141J-101Y	RESISTOR 100Ω,1/4W
		or 2PC4081/R/-X	TRANSISTOR	R940		NRSA02J-103X	MG RESISTOR 10kΩ,1/10W
Q908		2SB1218A/QR/-X	TRANSISTOR	R941		NRSA02J-332X	MG RESISTOR 3.3kΩ,1/10W
		or 2PA1576/R/-X	TRANSISTOR	R942		NRSA02J-472X	MG RESISTOR 4.7kΩ,1/10W
		or 2SA1576A/QR/-X	TRANSISTOR	R943		NRSA02J-0R0X	MG RESISTOR 0Ω,1/10W
Q909		2SB1218A/QR/-X	TRANSISTOR	R944		NRSA02J-272X	MG RESISTOR 2.7kΩ,1/10W
		or 2SA1576A/QR/-X	TRANSISTOR	R945		NRSA02J-102X	MG RESISTOR 1kΩ,1/10W
		or 2PA1576/R/-X	TRANSISTOR	R946		NRSA02J-561X	MG RESISTOR 560Ω,1/10W
Q911		UN521E	TRANSISTOR	R947		NRSA02J-682X	MG RESISTOR 6.8kΩ,1/10W
		or RN1309	TRANSISTOR	R949		QRE123J-331X	RESISTOR 330Ω,1/2W
		or PDTC144WU	TRANSISTOR	R951		NRSA02J-332X	MG RESISTOR 3.3kΩ,1/10W
		or DTC144WU	TRANSISTOR	R952		NRSA02J-562X	MG RESISTOR 5.6kΩ,1/10W
Q912		UN5215	TRANSISTOR	R953		NRSA02J-562X	MG RESISTOR 5.6kΩ,1/10W
		or RN1311	TRANSISTOR	R964		NRSA02J-101X	MG RESISTOR 100Ω,1/10W
		or DTC114TU	TRANSISTOR	R965		NRSA02J-101X	MG RESISTOR,S7700MS 100Ω,1/10W
		or PDTC114TU	TRANSISTOR	C201		QEKJ0JM-227	E CAPACITOR 220μF,6.3V
D201		QRE141J-152Y	RESISTOR 1.5kΩ,1/4W	C204		NDC21HJ-100X	CAPACITOR 10pF,50V
D202		QRE141J-101Y	RESISTOR 100Ω,1/4W	C206		NDC21HJ-330X	CAPACITOR 33pF,50V
D203		QRE141J-101Y	RESISTOR 100Ω,1/4W	C207		NDC21HJ-330X	CAPACITOR 33pF,50V
R202		NRSA02J-103X	MG RESISTOR 10kΩ,1/10W	C209		NCB21CK-474X	CAPACITOR 0.47μF,16V
R208		NRSA02J-222X	MG RESISTOR 2.2kΩ,1/10W	C210		NDC21HJ-101X	CAPACITOR 100pF,50V
R209		NRSA02J-512X	MG RESISTOR 5.1kΩ,1/10W	C211		NDC21HJ-101X	CAPACITOR 100pF,50V
R210		NRSA02J-182X	MG RESISTOR 1.8kΩ,1/10W	C212		NCB21EK-104X	CAPACITOR 0.1μF,25V
R211		NRSA02J-562X	MG RESISTOR 5.6kΩ,1/10W	C213		QEKJ1EM-475	E CAPACITOR 4.7μF,25V
R212		NRSA02J-101X	MG RESISTOR 100Ω,1/10W	C214		NCB21CK-224X	CAPACITOR 0.22μF,16V
R213		NRSA02J-0R0X	MG RESISTOR 0Ω,1/10W	C215		NCB21CK-224X	CAPACITOR 0.22μF,16V
R214		NRSA02J-103X	MG RESISTOR 10kΩ,1/10W	C216		QEKJ0JM-227	E CAPACITOR 220μF,6.3V
R216		NRSA02J-103X	MG RESISTOR 10kΩ,1/10W	C217		NDC21HJ-560X	CAPACITOR 56pF,50V
R218		NRSA02J-331X	MG RESISTOR 330Ω,1/10W	C218		NCB21AK-105X	CAPACITOR 1μF,10V
R901		NRSA02J-750X	MG RESISTOR 75Ω,1/10W	C222		NCB21AK-105X	CAPACITOR 1μF,10V
R902		NRSA02J-750X	MG RESISTOR 75Ω,1/10W	C225		NCB21EK-104X	CAPACITOR 0.1μF,25V
R903		NRSA02J-680X	MG RESISTOR 68Ω,1/10W	C901		NCB21HK-331X	CAPACITOR 330pF,50V
R904		NRSA02J-101X	MG RESISTOR 100Ω,1/10W	C902		NCB21HK-331X	CAPACITOR 330pF,50V
R905		NRSA02J-101X	MG RESISTOR 100Ω,1/10W	C903		NCB21HK-471X	CAPACITOR 470pF,50V
R906		NQL402M-100X	COIL 10μH	C904		NCB21HK-471X	CAPACITOR 470pF,50V
R907		NQL402M-100X	COIL 10μH	C905		NCB21HK-331X	CAPACITOR 330pF,50V
R908		NRSA02J-0R0X	MG RESISTOR 0Ω,1/10W	C906		NCB21HK-331X	CAPACITOR 330pF,50V
R909		NRSA02J-750X	MG RESISTOR 75Ω,1/10W	C907		NCB21HK-471X	CAPACITOR 470pF,50V
R910		NRSA02J-750X	MG RESISTOR 75Ω,1/10W	C908		NCB21HK-471X	CAPACITOR 470pF,50V
R911		NRSA02J-750X	MG RESISTOR 75Ω,1/10W	C910		NCB21HK-102X	CAPACITOR 0.001μF,50V
R912		NRSA02J-101X	MG RESISTOR 100Ω,1/10W	C912		NCB21HK-102X	CAPACITOR 0.001μF,50V
R913		NRSA02J-101X	MG RESISTOR 100Ω,1/10W	C913		NCB21HK-103X	CAPACITOR 0.01μF,50V

#	△ REF No.	PART No.	PART NAME, DESCRIPTION
C914		NCB21HK-103X	CAPACITOR 0.01μF,50V
C915		NCB21HK-103X	CAPACITOR 0.01μF,50V
C916		NCB21HK-223X	CAPACITOR 0.022μF,50V
C917		NCB21HK-223X	CAPACITOR 0.022μF,50V
C918		NCB21HK-223X	CAPACITOR 0.022μF,50V
C921		NDC21HJ-330X	CAPACITOR 33pF,50V
C923		QEKJ1CM-476	E CAPACITOR 47μF,16V
C924		NCB21HK-103X	CAPACITOR 0.01μF,50V
C925		NCB21HK-223X	CAPACITOR 0.022μF,50V
C927		QEKJ1CM-476	E CAPACITOR 47μF,16V
C930		NCB21HK-103X	CAPACITOR 0.01μF,50V
C931		QEKJ1CM-476	E CAPACITOR 47μF,16V
C933		NCB21HK-331X	CAPACITOR 330pF,50V
C934		NCB21HK-331X	CAPACITOR 330pF,50V
C935		NCB21HK-471X	CAPACITOR 470pF,50V
C936		NCB21HK-471X	CAPACITOR 470pF,50V
C937		NCB21HK-331X	CAPACITOR 330pF,50V
C938		NCB21HK-331X	CAPACITOR 330pF,50V
C939		NCB21HK-471X	CAPACITOR 470pF,50V
C940		NCB21HK-471X	CAPACITOR 470pF,50V
C941		QETJ0JM-477	E CAPACITOR 470μF,6.3V
C942		QEKJ1CM-476	E CAPACITOR 47μF,16V
C943		QEKJ1CM-476	E CAPACITOR 47μF,16V
C945		QEKJ1CM-106	E CAPACITOR 10μF,16V
C946		QEKJ1CM-106	E CAPACITOR 10μF,16V
C947		QETJ0JM-477	E CAPACITOR 470μF,6.3V
C951		QEKJ1CM-476	E CAPACITOR 47μF,16V
L201		QQL29BK-1R0Z	COIL 1μH
L202		QQL071J-330Y	COIL 33μH
L203		QQL071J-220Y	COIL 22μH
L204		QQL29BJ-100Z	COIL 10μH
L206		QQL071J-220Y	COIL 22μH
L901		QQL231J-R22Y	COIL 0.22μH
L902		QQL071J-1R0Y	COIL 1μH
L903		QQL071J-150Y	COIL 15μH
L904		QQL071J-150Y	COIL 15μH
L910		QQL071J-1R0Y	COIL 1μH
L913		QQL071J-4R7Y	COIL 4.7μH
L914		QQL071J-4R7Y	COIL 4.7μH
L915		QQL071J-4R7Y	COIL 4.7μH
L916		QQL071J-4R7Y	COIL 4.7μH
L917		QQL071J-4R7Y	COIL 4.7μH
L918		QQL071J-4R7Y	COIL 4.7μH
L919		QQL071J-4R7Y	COIL 4.7μH
L920		QQL071J-4R7Y	COIL 4.7μH
ET1		PQ21987-1-1	EATH PLATE(TERMINAL)
△ TB1		LP30712-006B	TERMINAL BOARD ASSY,S6700MS
△ TB1		LP30712-007B	TERMINAL BOARD ASSY,S7700MS
OT1		QYTDSF3008Z	SCREW,X8
J901		PEMC1177	RGB21PIN SOCKET,AV1 IN/OUT
J902		PEMC1177	RGB21PIN SOCKET,AV2/DECODER
J903		QND0084-001	S JACK,S_OUT
J912		QNN0023-003	PIN JACK,A.OUT(L)
J913		QNN0023-002	PIN JACK,A.OUT(R)
J925		PU60659	MINI JACK,SAT.CTL
J926		PU60659	MINI JACK
WR901		QUB320-07ZAZA	SIN TWIST WIRE
CN911		QGF1208F1-14	FPC CONNECTOR,(1-14)S-SUB
CN913		QGB2024J1-12S	CONNECTOR,(1-12)MAIN
CN914		QGB2024J1-12S	CONNECTOR,(1-12)MAIN
CN915		QGB2024J1-05S	CONNECTOR,(1-5)MAIN

#	△ REF No.	PART No.	PART NAME, DESCRIPTION
		CN917	QGB2024J1-10S CONNECTOR,(1-10)MAIN

AUDIO CONTROL HEAD BOARD ASSEMBLY <12>

PW1	LPA10010-01A1	A/C HEAD BOARD ASSY
CN1	QGF1208F1-07	FPC CONNECTOR

DEMOD BOARD ASSEMBLY <14>

PW1	LPA10094-01C	DEMOD BOARD ASSY	
IC6701	MSP34VCDT	IC	
Q6701	2SC3936/BC/-X	TRANSISTOR	
D6701	1SS133	DIODE	
	or 1N4148M	DIODE	
R6701	NRSA02J-392X	MG RESISTOR	3.9kΩ,1/10W
R6702	NRSA02J-682X	MG RESISTOR	6.8kΩ,1/10W
R6703	NRSA02J-470X	MG RESISTOR	47Ω,1/10W
R6704	NRSA02J-102X	MG RESISTOR	1kΩ,1/10W
R6705	NRSA02J-271X	MG RESISTOR	270Ω,1/10W
R6706	NRSA02J-151X	MG RESISTOR	150Ω,1/10W
R6707	NRSA02J-220X	MG RESISTOR	22Ω,1/10W
R6708	NRSA02J-101X	MG RESISTOR	100Ω,1/10W
R6709	NRSA02J-101X	MG RESISTOR	100Ω,1/10W
R6710	NRSA02J-100X	MG RESISTOR	10Ω,1/10W
R6711	NRSA02J-684X	MG RESISTOR	680kΩ,1/10W
R6712	NRSA02J-102X	MG RESISTOR	1kΩ,1/10W
R6714	NRSA02J-102X	MG RESISTOR	1kΩ,1/10W
R6716	NRSA02J-470X	MG RESISTOR	47Ω,1/10W
R6719	QRE141J-103Y	RESISTOR	10kΩ,1/4W
R6720	NRSA02J-562X	MG RESISTOR	5.6kΩ,1/10W
R6721	NRSA02J-562X	MG RESISTOR	5.6kΩ,1/10W
C6701	NCB21HK-103X	CAPACITOR	0.01μF,50V
C6702	NCB21HK-222X	CAPACITOR	0.0022μF,50V
C6704	NCB21HK-103X	CAPACITOR	0.01μF,50V
C6705	NCB21HK-102X	CAPACITOR	0.001μF,50V
C6707	NDC21HJ-470X	CAPACITOR	47pF,50V
C6708	NDC21HJ-8R0X	CAPACITOR	8pF,50V
C6709	NDC21HJ-1R0X	CAPACITOR	1pF,50V
C6713	NCF21CZ-224X	CAPACITOR	0.22μF,16V
C6714	NCB21HK-682X	CAPACITOR	0.0068μF,50V
C6715	QEKJ1HM-225	E CAPACITOR	2.2μF,50V
C6716	NCB21HK-682X	CAPACITOR	0.0068μF,50V
C6717	QEKJ1HM-225	E CAPACITOR	2.2μF,50V
C6719	QEKJ1CM-106	E CAPACITOR	10μF,16V
C6720	QEKJ1CM-106	E CAPACITOR	10μF,16V
C6721	NCB21HK-103X	CAPACITOR	0.01μF,50V
C6723	NCB21HK-103X	CAPACITOR	0.01μF,50V
C6724	QEKJ1HM-225	E CAPACITOR	2.2μF,50V
L6701	QQL231J-1R0Y	COIL	1μH
L6702	QQL231J-3R3Y	COIL	3.3μH
X6701	QAX0443-001	CRYSTAL RESONATOR	
K6701	NQR0200-003X	FERRITE BEAD	
K6702	NQR0200-003X	FERRITE BEAD	
K6703	NQR0200-003X	FERRITE BEAD	

#	△ REF No.	PART No.	PART NAME, DESCRIPTION
K6704		NQR0200-003X	FERRITE BEAD
K6705		NQR0200-003X	FERRITE BEAD
K6706		NQR0200-003X	FERRITE BEAD
K6707		NQR0200-003X	FERRITE BEAD
BK1		LP40077-001A	BRACKET(BOARD)
CN6701		QGG2502K1-10	HEADER PIN

#	△ REF No.	PART No.	PART NAME, DESCRIPTION
C521		QEKJ1EM-475	E CAPACITOR 4.7μF,25V
C522		QEKJ1HM-225	E CAPACITOR 2.2μF,50V
C523		QEKJ1HM-225	E CAPACITOR 2.2μF,50V
C524		NDC21HG-301X	CAPACITOR 300pF,50V
C525		NDC21HG-301X	CAPACITOR 300pF,50V
C526		NDC21HJ-101X	CAPACITOR 100pF,50V
C527		NDC21HJ-181X	CAPACITOR 180pF,50V
C528		NDC21HG-271X	CAPACITOR 270pF,50V
C529		NDC21HG-820X	CAPACITOR 82pF,50V
C530		NDC21HG-221X	CAPACITOR 220pF,50V
C531		NDC21HG-301X	CAPACITOR 300pF,50V
C532		NDC21HG-301X	CAPACITOR 300pF,50V
C533		NCB21HK-103X	CAPACITOR 0.01μF,50V
C534		QETJ0JM-477	E CAPACITOR 470μF,6.3V
C535		NCB21HK-103X	CAPACITOR 0.01μF,50V
C551		QEKJ1HM-105	E CAPACITOR 1μF,50V
C553		NCB21HK-103X	CAPACITOR 0.01μF,50V
C554		QEKJ1HM-105	E CAPACITOR 1μF,50V
C556		NCB21HK-103X	CAPACITOR 0.01μF,50V
C557		QEKJ1HM-105	E CAPACITOR 1μF,50V
C559		NCB21HK-103X	CAPACITOR 0.01μF,50V
C560		QEKJ1HM-105	E CAPACITOR 1μF,50V
C561		QEKJ1HM-105	E CAPACITOR 1μF,50V
C562		QEKJ1HM-105	E CAPACITOR 1μF,50V
C564		NCB21HK-103X	CAPACITOR 0.01μF,50V
C566		NCB21HK-103X	CAPACITOR 0.01μF,50V
C568		NDC21HJ-680X	CAPACITOR 68pF,50V
C569		NDC21HJ-680X	CAPACITOR 68pF,50V
C570		NDC21HJ-680X	CAPACITOR 68pF,50V
C571		NDC21HJ-680X	CAPACITOR 68pF,50V
C572		NDC21HJ-680X	CAPACITOR 68pF,50V
C573		NDC21HJ-680X	CAPACITOR 68pF,50V
L501		QQL29BJ-100Z	COIL 10μH
L503		QQL29BJ-100Z	COIL 10μH
L504		QQL29BJ-100Z	COIL 10μH
BK1		LP40077-001A	BRACKET(BOARD)
CN511		QGG2503K2-30	HEADER PIN,(1-30)MAIN
CN512		QGF1209F2-14	FFC/FPC CONNECTOR,(1-14)TERMINAL
CN513		QGF1208F1-09	FPC CONNECTOR,(1-9)P/S

S-SUB BOARD ASSEMBLY <15>

PW1	LPA10103-02A	S-SUB BOARD ASSY	
IC501	JCP8018	IC	
	or JCP8028	IC	
	or JCP8028-01	IC	
IC502	VC2076DP	IC	
R503	NRSA02J-221X	MG RESISTOR	220Ω,1/10W
R504	NRSA02J-332X	MG RESISTOR	3.3kΩ,1/10W
R505	NRSA02J-392X	MG RESISTOR	3.9kΩ,1/10W
R506	NRSA02J-391X	MG RESISTOR	390Ω,1/10W
R507	NRSA02J-122X	MG RESISTOR	1.2kΩ,1/10W
R508	NRSA02J-151X	MG RESISTOR	150Ω,1/10W
R509	NRSA02J-162X	MG RESISTOR	1.6kΩ,1/10W
R510	NRVA02D-102X	CMF RESISTOR	1kΩ,1/10W
R511	NRVA02D-471X	CMF RESISTOR	470Ω,1/10W
R512	NRVA02D-102X	CMF RESISTOR	1kΩ,1/10W
R513	NRVA02D-152X	CMF RESISTOR	1.5kΩ,1/10W
R514	NRVA02D-332X	CMF RESISTOR	3.3kΩ,1/10W
R515	NRVA02D-332X	CMF RESISTOR	3.3kΩ,1/10W
R516	NRSA02J-0R0X	MG RESISTOR	0Ω,1/10W
R517	NRSA02J-0R0X	MG RESISTOR	0Ω,1/10W
R525	NRSA02J-125X	MG RESISTOR	1.2MΩ,1/10W
R531	NRSA02J-101X	MG RESISTOR	100Ω,1/10W
R532	NRSA02J-101X	MG RESISTOR	100Ω,1/10W
R533	NRSA02J-101X	MG RESISTOR	100Ω,1/10W
R534	NRSA02J-101X	MG RESISTOR	100Ω,1/10W
R535	NRSA02J-101X	MG RESISTOR	100Ω,1/10W
R536	NRSA02J-101X	MG RESISTOR	100Ω,1/10W
C501	QEKJ1HM-225	E CAPACITOR	2.2μF,50V
C502	QEKJ1EM-475	E CAPACITOR	4.7μF,25V
C503	QEKJ1HM-225	E CAPACITOR	2.2μF,50V
C504	NCB21EK-104X	CAPACITOR	0.1μF,25V
C505	QEKJ1EM-475	E CAPACITOR	4.7μF,25V
C506	NCB21EK-104X	CAPACITOR	0.1μF,25V
C507	QEKJ0JM-227	E CAPACITOR	220μF,6.3V
C508	QEPF1HM-474	NP E CAPACITOR	0.47μF,50V
C509	QEKJ1CM-106	E CAPACITOR	10μF,16V
C510	QEKJ0JM-227	E CAPACITOR	220μF,6.3V
C511	NCB21HK-103X	CAPACITOR	0.01μF,50V
C512	NCB21HK-103X	CAPACITOR	0.01μF,50V
C513	QEKJ1EM-475	E CAPACITOR	4.7μF,25V
C514	NCB21HK-103X	CAPACITOR	0.01μF,50V
C515	NCB21HK-103X	CAPACITOR	0.01μF,50V
C516	NCB21HK-103X	CAPACITOR	0.01μF,50V
C517	NCF21EZ-104X	CAPACITOR	0.1μF,25V
C518	NCB21EK-104X	CAPACITOR	0.1μF,25V
C519	QEKJ1HM-225	E CAPACITOR	2.2μF,50V
C520	QERF1EM-475	E CAPACITOR	4.7μF,25V

DISPLAY BOARD ASSEMBLY(S6700MS) <28>

PW1	LPA10097-01A1	DISPLAY BOARD ASSY	
IC7001	M35500BGP	IC	
	or M35500BFP	IC	
	or M35500AGP	IC	
IC7002	PNA4652M00XB	IR DETECT UNIT	
	or GP1U281X	IR DETECT UNIT	
D7002	RD9.1ES/B2/-T2	ZENER DIODE	
	or UZ9.1BSB	ZENER DIODE	
	or MTZJ9.1B	ZENER DIODE	
D7004	1SS133	DIODE	
D7005	1SS133	DIODE	
D7009	SLR-342MC3F	LE DIODE	
D7010	SLR-342VC3F	LE DIODE	
R7001	QRE141J-471Y	RESISTOR	470Ω,1/4W
R7002	QRE141J-471Y	RESISTOR	470Ω,1/4W

#	△ REF No.	PART No.	PART NAME, DESCRIPTION
R7003		QRE141J-471Y	RESISTOR 470Ω,1/4W
R7004		QRE141J-471Y	RESISTOR 470Ω,1/4W
R7005		QRE141J-103Y	RESISTOR 10kΩ,1/4W
R7006		QRE141J-103Y	RESISTOR 10kΩ,1/4W
R7007		QRE141J-103Y	RESISTOR 10kΩ,1/4W
R7008		QRE141J-103Y	RESISTOR 10kΩ,1/4W
R7013		QRE141J-103Y	RESISTOR 10kΩ,1/4W
R7020		QRE141J-103Y	RESISTOR 10kΩ,1/4W
R7021		QRE141J-122Y	RESISTOR 1.2kΩ,1/4W
R7022		QRE141J-182Y	RESISTOR 1.8kΩ,1/4W
R7023		QRE141J-222Y	RESISTOR 2.2kΩ,1/4W
R7024		QRE141J-272Y	RESISTOR 2.7kΩ,1/4W
R7025		QRE141J-472Y	RESISTOR 4.7kΩ,1/4W
R7026		QRE141J-682Y	RESISTOR 6.8kΩ,1/4W
R7027		QRE141J-153Y	RESISTOR 15kΩ,1/4W
R7028		QRE141J-393Y	RESISTOR 39kΩ,1/4W
R7030		QRE141J-103Y	RESISTOR 10kΩ,1/4W
R7031		QRE141J-122Y	RESISTOR 1.2kΩ,1/4W
R7032		QRE141J-182Y	RESISTOR 1.8kΩ,1/4W
R7033		QRE141J-222Y	RESISTOR 2.2kΩ,1/4W
R7034		QRE141J-272Y	RESISTOR 2.7kΩ,1/4W
R7035		QRE141J-472Y	RESISTOR 4.7kΩ,1/4W
R7036		QRE141J-682Y	RESISTOR 6.8kΩ,1/4W
R7037		QRE141J-153Y	RESISTOR 15kΩ,1/4W
R7038		QRE141J-393Y	RESISTOR 39kΩ,1/4W
R7040		QRE141J-331Y	RESISTOR 330Ω,1/4W
R7041		QRE141J-331Y	RESISTOR 330Ω,1/4W
C7001		QCFB1HZ-104	CAPACITOR 0.1μF,50V
C7002		QETN1HM-106	E CAPACITOR 10μF,50V
C7007		QETN1HM-476	E CAPACITOR 47μF,50V
C7009		QCSB1HJ-150	CAPACITOR 15pF,50V
C7010		QCFB1HZ-104	CAPACITOR 0.1μF,50V
C7011		QETN1AM-227	E CAPACITOR 220μF,10V
C7019		QDVB1EZ-223Y	CAPACITOR 0.022μF,25V
C7192		QCBB1HJ-681	CAPACITOR 680pF,50V
C7194		QCBB1HJ-681	CAPACITOR 680pF,50V
L7191		QRE141J-101Y	RESISTOR 100Ω,1/4W
L7192		QRE141J-101Y	RESISTOR 100Ω,1/4W
L7196		QQL071J-1R0Y	COIL 1μH
S7001		QSW0456-002Z	TACT SWITCH,STAND-BY
S7002		QSW0456-002Z	TACT SWITCH,CH+
S7003		QSW0456-002Z	TACT SWITCH,CH-
S7004		QSW0456-002Z	TACT SWITCH,REC
S7005		QSW0456-002Z	TACT SWITCH,PAUSE
S7010		QSW0456-002Z	TACT SWITCH,TIMER
S7011		QSW0456-002Z	TACT SWITCH,REVIEW
S7012		QSW0456-002Z	TACT SWITCH,SVHS ET
S7013		QSW0456-002Z	TACT SWITCH,SAT.CTL
S7014		QSW0456-002Z	TACT SWITCH,STOP/EJECT
S7015		QSW0456-002Z	TACT SWITCH,SP/LP
S7016		QSW0456-002Z	TACT SWITCH,PUSH JOG-
S7017		QSW0456-002Z	TACT SWITCH,PUSH JOG+
DI7001		QLF0031-002	FL TUBE
HD1		LP30140-001A	FDP HOLDER L,DI7001
HD2		LP30141-001A	FDP HOLDER R,DI7001
HD3		PQM30038-7	LED HOLDER,D7009
HD4		PQM30038-7	LED HOLDER,D7010
J7191		PEMC1009-04	PIN JACK,VIDEO IN
J7192		PEMC1010-03	PIN JACK(SW),AUDIO(L)IN
J7193		PEMC1010-02	PIN JACK(SW),AUDIO(R)IN
CN7001		QGF1207C1-14	FPC CONNECTOR,(1-14)MAIN
CN7002		QGF1207C1-06	FPC CONNECTOR,(1-6)SHUTTLE/PLAY

#	△ REF No.	PART No.	PART NAME, DESCRIPTION
CN7191		QGF1207C1-05	FPC CONNECTOR,(1-5)MAIN

DISPLAY BOARD ASSEMBLY(S7700MS) <28>			
PW1		LPA10054-17A1	DISPLAY BOARD ASSY
IC7001		M35500BGP	IC
		or M35500BFP	IC
		or M35500AGP	IC
IC7002		PNA4652M00XB	IR DETECT UNIT
		or GP1U281X	IR DETECT UNIT
D7002		RD9.1ES/B2/-T2	ZENER DIODE
		or UZ9.1BSB	ZENER DIODE
		or MTZJ9.1B	ZENER DIODE
D7004		1SS133	DIODE
D7005		1SS133	DIODE
D7006		1SS133	DIODE
D7009		SLR-342MC3F	LE DIODE
D7010		SLR-342VC3F	LE DIODE
D7011		SLR-342MC3F	LE DIODE
R7001		QRE141J-471Y	RESISTOR 470Ω,1/4W
R7002		QRE141J-471Y	RESISTOR 470Ω,1/4W
R7003		QRE141J-471Y	RESISTOR 470Ω,1/4W
R7004		QRE141J-471Y	RESISTOR 470Ω,1/4W
R7005		QRE141J-103Y	RESISTOR 10kΩ,1/4W
R7006		QRE141J-103Y	RESISTOR 10kΩ,1/4W
R7007		QRE141J-103Y	RESISTOR 10kΩ,1/4W
R7008		QRE141J-103Y	RESISTOR 10kΩ,1/4W
R7013		QRE141J-103Y	RESISTOR 10kΩ,1/4W
R7020		QRE141J-103Y	RESISTOR 10kΩ,1/4W
R7021		QRE141J-122Y	RESISTOR 1.2kΩ,1/4W
R7022		QRE141J-182Y	RESISTOR 1.8kΩ,1/4W
R7023		QRE141J-222Y	RESISTOR 2.2kΩ,1/4W
R7024		QRE141J-272Y	RESISTOR 2.7kΩ,1/4W
R7025		QRE141J-472Y	RESISTOR 4.7kΩ,1/4W
R7026		QRE141J-682Y	RESISTOR 6.8kΩ,1/4W
R7027		QRE141J-153Y	RESISTOR 15kΩ,1/4W
R7028		QRE141J-393Y	RESISTOR 39kΩ,1/4W
R7030		QRE141J-103Y	RESISTOR 10kΩ,1/4W
R7031		QRE141J-122Y	RESISTOR 1.2kΩ,1/4W
R7032		QRE141J-182Y	RESISTOR 1.8kΩ,1/4W
R7033		QRE141J-222Y	RESISTOR 2.2kΩ,1/4W
R7034		QRE141J-272Y	RESISTOR 2.7kΩ,1/4W
R7035		QRE141J-472Y	RESISTOR 4.7kΩ,1/4W
R7036		QRE141J-682Y	RESISTOR 6.8kΩ,1/4W
R7037		QRE141J-153Y	RESISTOR 15kΩ,1/4W
R7038		QRE141J-393Y	RESISTOR 39kΩ,1/4W
R7040		QRE141J-331Y	RESISTOR 330Ω,1/4W
R7041		QRE141J-331Y	RESISTOR 330Ω,1/4W
R7042		QRE141J-331Y	RESISTOR 330Ω,1/4W
C7001		QCFB1HZ-104	CAPACITOR 0.1μF,50V
C7002		QETN1HM-106	E CAPACITOR 10μF,50V
C7007		QETN1HM-476	E CAPACITOR 47μF,50V
C7009		QCSB1HJ-150	CAPACITOR 15pF,50V
C7010		QCFB1HZ-104	CAPACITOR 0.1μF,50V
C7011		QETN1AM-227	E CAPACITOR 220μF,10V
C7019		QDVB1EZ-223Y	CAPACITOR 0.022μF,25V
C7192		QCBB1HJ-681	CAPACITOR 680pF,50V
C7194		QCBB1HJ-681	CAPACITOR 680pF,50V
L7191		QRE141J-101Y	RESISTOR 100Ω,1/4W

#	△ REF No.	PART No.	PART NAME, DESCRIPTION
L7192	QRE141J-101Y	RESISTOR	100Ω,1/4W
L7196	QQL231J-1R0Y	COIL	1μH
S7001	QSW0456-002Z	TACT SWITCH,STAND BY	
S7002	QSW0456-002Z	TACT SWITCH,CH+	
S7003	QSW0456-002Z	TACT SWITCH,CH-	
S7004	QSW0456-002Z	TACT SWITCH,REC	
S7005	QSW0456-002Z	TACT SWITCH,PAUSE	
S7010	QSW0456-002Z	TACT SWITCH,D.TBC/NR	
S7011	QSW0456-002Z	TACT SWITCH,SP/LP	
S7012	QSW0456-002Z	TACT SWITCH,SVHS ET	
S7013	QSW0456-002Z	TACT SWITCH,SAT CTL	
S7014	QSW0456-002Z	TACT SWITCH,STOP/EJECT	
S7015	QSW0456-002Z	TACT SWITCH,PLAY	
S7016	QSW0456-002Z	TACT SWITCH,INSERT	
S7017	QSW0456-002Z	TACT SWITCH,A.DUB	
DI7001	QLF0032-002	FL TUBE	
HD1	PQ34668	FDP HOLDER(L),DI7001	
HD2	PQ34669	FDP HOLDER(R),DI7001	
HD3	PQM30038-7	LED HOLDER	
HD4	PQM30038-7	LED HOLDER	
HD5	PQM30038-7	LED HOLDER	
J7191	PEMC1009-04	PIN JACK,VIDEO IN	
J7192	PEMC1010-03	PIN JACK(SW),AUDIO(L)IN	
J7193	PEMC1010-02	PIN JACK(SW),AUDIO(R)IN	
CN7001	QGF1207C1-14	FPC CONNECTOR,(1-14)MAIN	
CN7191	QGF1207C1-05	FPC CONNECTOR,(1-5)MAIN	

REC SAFETY BOARD ASSEMBLY(S6700MS) <32>

PW2	LPA10097-01A2	REC SAFETY BOARD ASSY
S7041	QSW0602-004	PUSH SWITCH
FW7001	QUM022-07A4A4	PARA RIBON WIRE

REC SAFETY BOARD ASSEMBLY(S7700MS) <32>

PW2	LPA10054-01C2	REC SAFETY BOARD ASSY
S7041	QSW0602-004	PUSH SWITCH
FW7001	QUM032-07A4A4	PARA RIBON WIRE

S JACK BOARD ASSEMBLY(S7700MS) <36>

PW4	LPA10054-17A4	S JACK BOARD ASSY
J7194	QND0084-001	S JACK,S IN
CN7192	QGF1207F1-04	FPC CONNECTOR,(1-4)MAIN

△ REF No. PART No. PART NAME, DESCRIPTION

S JACK BOARD ASSEMBLY(S6700MS) <36>

PW4	LPA10097-01A4	S JACK BOARD ASSY
J7194	QND0084-001	S JACK
CN7192	QGF1207F1-04	FPC CONNECTOR,(1-4)MAIN

JOG BOARD ASSEMBLY(S7700MS) <37>

PW3	LPA10054-03C3	JOG BOARD ASSY
UN7091	PEME0786-02	JOG SHUTTLE ASSY
CN7005	QGF1207F1-06	FPC CONNECTOR,(1-6)MAIN

AUDIO ERASE BOARD ASSEMBLY <46>

PW2	LPA10106-01A2	AUDIO ERASE BOARD ASSY,S6700MS	
	LPA10106-02A2	AUDIO ERASE BOARD ASSY,S7700MS	
Q2051	2SC4081/QRS/-X	TRANSISTOR	
	or 2SD1819A/QRS/-X	TRANSISTOR	
	or 2PC4081/R/-X	TRANSISTOR	
R2054	NRSA02J-153X	MG RESISTOR,S7700MS	15kΩ,1/10W
	NRSA02J-123X	MG RESISTOR,S6700MS	12kΩ,1/10W
R2055	NRSA02J-3R3X	MG RESISTOR	3.3Ω,1/10W
C2052	QFLC1HJ-333Z	F CAPACITOR	0.033μF,50V
	QFLC1HJ-823Z	F CAPACITOR	0.082μF,50V
C2053	NCB21HK-332X	CAPACITOR,S7700MS	0.0033μF,50V
	NCB21HK-472X	CAPACITOR,S6700MS	0.0047μF,50V
C2054	NCB21EK-223X	CAPACITOR,S6700MS	0.022μF,25V
	NCB21HK-103X	CAPACITOR,S7700MS	0.01μF,50V
C2055	QEKJ1CM-106	E CAPACITOR	10μF,16V
T2051	PELN0832	OSC TRANSFORMER,S6700MS	
	PELN0860	OSC TRANSFORMER,S7700MS	
CN2052	QGB2024J1-04S	CONNECTOR,(1-4)MAIN	

LOADING MOTOR BOARD ASSEMBLY <55>

PW2	LPA10010-01A2	LOADING MOTOR BOARD ASSY
CN1	QGB2533K1-02	CONNECTOR

SHUTTLE/PLAY BOARD ASSEMBLY(S6700MS) <85>

PW3	LPA10097-01A3	SHUTTLE/PLAY BOARD ASSY
UN7091	PESW0679	SHUTTLE SWITCH
CN7005	QGF1207F1-06	FPC CONNECTOR,(1-6)FRONT

▲ REF No. PART No. PART NAME, DESCRIPTION

P/S CONVERTER BOARD ASSEMBLY <87>

PW1	PB11062E	P/S CONVERTER BOARD ASSY
IC3502	TDA4650	IC
IC3503	TDA4665T	IC
IC3504	TDA2595	IC
IC3506	TDA8501T/N1-X	IC
IC3512	74HC74D	IC
IC3513	74HC4538D	IC
IC3514	74HC221D	IC
IC3517	BA7046F	IC
Q3504	2SD1819A/QRS/-X	TRANSISTOR
	or 2SC4081/QRS/-X	TRANSISTOR
	or 2PC4081/R/-X	TRANSISTOR
Q3505	2SB1218A/QR/-X	TRANSISTOR
	or 2PA1576/R/-X	TRANSISTOR
	or 2SA1576A/QR/-X	TRANSISTOR
Q3506	2SD1819A/QRS/-X	TRANSISTOR
	or 2SC4081/QRS/-X	TRANSISTOR
	or 2PC4081/R/-X	TRANSISTOR
Q3507	2SD1819A/QRS/-X	TRANSISTOR
	or 2SC4081/QRS/-X	TRANSISTOR
	or 2PC4081/R/-X	TRANSISTOR
Q3508	2SD1819A/QRS/-X	TRANSISTOR
	or 2SC4081/QRS/-X	TRANSISTOR
	or 2PC4081/R/-X	TRANSISTOR
Q3509	2SB1218A/QR/-X	TRANSISTOR
	or 2PA1576/R/-X	TRANSISTOR
	or 2SA1576A/QR/-X	TRANSISTOR
Q3510	2SD1819A/QRS/-X	TRANSISTOR
	or 2SC4081/QRS/-X	TRANSISTOR
	or 2PC4081/R/-X	TRANSISTOR
Q3511	2SD1819A/QRS/-X	TRANSISTOR
	or 2PC4081/R/-X	TRANSISTOR
	or 2SC4081/QRS/-X	TRANSISTOR
Q3512	2SD1819A/QRS/-X	TRANSISTOR
	or 2SC4081/QRS/-X	TRANSISTOR
	or 2PC4081/R/-X	TRANSISTOR
Q3513	2SB1218A/QR/-X	TRANSISTOR
	or 2PA1576/R/-X	TRANSISTOR
	or 2SA1576A/QR/-X	TRANSISTOR
Q3514	2SD1819A/QRS/-X	TRANSISTOR
	or 2SC4081/QRS/-X	TRANSISTOR
	or 2PC4081/R/-X	TRANSISTOR
Q3515	2SD1819A/QRS/-X	TRANSISTOR
	or 2PC4081/R/-X	TRANSISTOR
	or 2SC4081/QRS/-X	TRANSISTOR
Q3520	2SD1819A/QRS/-X	TRANSISTOR
	or 2SC4081/QRS/-X	TRANSISTOR
	or 2PC4081/R/-X	TRANSISTOR
Q3525	2SD1819A/QRS/-X	TRANSISTOR
	or 2SC4081/QRS/-X	TRANSISTOR
	or 2PC4081/R/-X	TRANSISTOR
Q3540	2SD1819A/QRS/-X	TRANSISTOR
	or 2PC4081/R/-X	TRANSISTOR
	or 2SC4081/QRS/-X	TRANSISTOR
Q3541	2SD1819A/QRS/-X	TRANSISTOR
	or 2SC4081/QRS/-X	TRANSISTOR
	or 2PC4081/R/-X	TRANSISTOR

# ▲ REF No.	PART No.	PART NAME, DESCRIPTION	
Q3542	2SB1218A/QR/-X	TRANSISTOR	
	or 2PA1576/R/-X	TRANSISTOR	
	or 2SA1576A/QRS/-X	TRANSISTOR	
Q3543	2SD1819A/QRS/-X	TRANSISTOR	
	or 2SC4081/QRS/-X	TRANSISTOR	
	or 2PC4081/R/-X	TRANSISTOR	
Q3544	2SD1819A/QRS/-X	TRANSISTOR	
	or 2PC4081/R/-X	TRANSISTOR	
	or 2SC4081/QRS/-X	TRANSISTOR	
Q3545	2SB1218A/QR/-X	TRANSISTOR	
	or 2SA1576A/QRS/-X	TRANSISTOR	
	or 2PA1576/R/-X	TRANSISTOR	
Q3546	2SD1819A/QRS/-X	TRANSISTOR	
	or 2PC4081/R/-X	TRANSISTOR	
	or 2SC4081/QRS/-X	TRANSISTOR	
D3502	DAN202U	DIODE	
D3504	1S3355	DIODE	
R3528	NRSA02J-511X	MG RESISTOR	510Ω,1/10W
R3529	NRSA02J-681X	MG RESISTOR	680Ω,1/10W
R3531	NRSA02J-563X	MG RESISTOR	56kΩ,1/10W
R3532	NRSA02J-473X	MG RESISTOR	47kΩ,1/10W
R3533	NRSA02J-122X	MG RESISTOR	1.2kΩ,1/10W
R3534	NRSA02J-681X	MG RESISTOR	680Ω,1/10W
R3535	NRSA02J-681X	MG RESISTOR	680Ω,1/10W
R3536	NRSA02J-331X	MG RESISTOR	330Ω,1/10W
R3537	NRSA02J-182X	MG RESISTOR	1.8kΩ,1/10W
R3538	NRSA02J-102X	MG RESISTOR	1kΩ,1/10W
R3539	NRSA02J-222X	MG RESISTOR	2.2kΩ,1/10W
R3540	NRSA02J-152X	MG RESISTOR	1.5kΩ,1/10W
R3541	NRSA02J-153X	MG RESISTOR	15kΩ,1/10W
R3542	NRSA02J-183X	MG RESISTOR	18kΩ,1/10W
R3543	NRSA02J-122X	MG RESISTOR	1.2kΩ,1/10W
R3544	NRSA02J-681X	MG RESISTOR	680Ω,1/10W
R3545	NRSA02J-751X	MG RESISTOR	750Ω,1/10W
R3546	NRSA02J-121X	MG RESISTOR	120Ω,1/10W
R3547	NRSA02J-122X	MG RESISTOR	1.2kΩ,1/10W
R3548	NRSA02J-102X	MG RESISTOR	1kΩ,1/10W
R3549	NRSA02J-102X	MG RESISTOR	1kΩ,1/10W
R3550	NRSA02J-102X	MG RESISTOR	1kΩ,1/10W
R3551	NRSA02J-563X	MG RESISTOR	56kΩ,1/10W
R3552	NRSA02J-223X	MG RESISTOR	22kΩ,1/10W
R3553	NRSA02J-122X	MG RESISTOR	1.2kΩ,1/10W
R3554	NRSA02J-681X	MG RESISTOR	680Ω,1/10W
R3555	NRSA02J-821X	MG RESISTOR	820Ω,1/10W
R3556	NRSA02J-121X	MG RESISTOR	120Ω,1/10W
R3557	NRSA02J-152X	MG RESISTOR	1.5kΩ,1/10W
R3558	NRSA02J-102X	MG RESISTOR	1kΩ,1/10W
R3559	NRSA02J-102X	MG RESISTOR	1kΩ,1/10W
R3560	NRSA02J-102X	MG RESISTOR	1kΩ,1/10W
R3571	NRSA02J-221X	MG RESISTOR	220Ω,1/10W
R3572	NRSA02J-102X	MG RESISTOR	1kΩ,1/10W
R3573	NRSA02J-221X	MG RESISTOR	220Ω,1/10W
R3574	NRSA02J-561X	MG RESISTOR	560Ω,1/10W
R3591	NRSA02J-681X	MG RESISTOR	680Ω,1/10W
R3592	NRSA02J-331X	MG RESISTOR	330Ω,1/10W
R3593	NRSA02J-331X	MG RESISTOR	330Ω,1/10W
R3594	NRSA02J-332X	MG RESISTOR	3.3kΩ,1/10W
R3595	NRSA02J-103X	MG RESISTOR	10kΩ,1/10W
R3596	NRSA02J-103X	MG RESISTOR	10kΩ,1/10W
R3597	NRSA02J-101X	MG RESISTOR	100Ω,1/10W
R3598	NRSA02J-101X	MG RESISTOR	100Ω,1/10W

#	△	REF No.	PART No.	PART NAME, DESCRIPTION	#	△	REF No.	PART No.	PART NAME, DESCRIPTION
R3599			NRSA02J-122X	MG RESISTOR 1.2kΩ,1/10W	C3539			QEKJ1CM-476	E CAPACITOR 47μF,16V
R3600			NRSA02J-102X	MG RESISTOR 1kΩ,1/10W	C3540			NCB21CK-224X	CAPACITOR 0.22μF,16V
R3601			NRSA02J-681X	MG RESISTOR 680Ω,1/10W	C3541			NCB21HJ-103X	CAPACITOR 0.01μF,50V
R3602			NRSA02J-101X	MG RESISTOR 100Ω,1/10W	C3542			NCB21HJ-103X	CAPACITOR 0.01μF,50V
R3604			NRSA02J-331X	MG RESISTOR 330Ω,1/10W	C3543			NDC21HJ-181X	CAPACITOR 180pF,50V
R3605			NRSA02J-105X	MG RESISTOR 1MΩ,1/10W	C3544			NDC21HJ-181X	CAPACITOR 180pF,50V
R3607			NRSA02J-101X	MG RESISTOR 100Ω,1/10W	C3545			NCB21EK-104X	CAPACITOR 0.1μF,25V
R3608			NRSA02J-183X	MG RESISTOR 18kΩ,1/10W	C3546			NCB21EK-104X	CAPACITOR 0.1μF,25V
R3609			NRSA02J-223X	MG RESISTOR 22kΩ,1/10W	C3547			NDC21HJ-270X	CAPACITOR 27pF,50V
R3610			NRSA02J-222X	MG RESISTOR 2.2kΩ,1/10W	C3548			NDC21HJ-270X	CAPACITOR 27pF,50V
R3620			NRSA02J-472X	MG RESISTOR 4.7kΩ,1/10W	C3549			NCB21EK-104X	CAPACITOR 0.1μF,25V
R3621			NRSA02J-123X	MG RESISTOR 12kΩ,1/10W	C3550			NCB21CK-474X	CAPACITOR 0.47μF,16V
R3622			NRSA02J-124X	MG RESISTOR 120kΩ,1/10W	C3552			NCB21EK-223X	CAPACITOR 0.022μF,25V
R3623			NRSA02J-104X	MG RESISTOR 100kΩ,1/10W	C3553			NCB21EK-223X	CAPACITOR 0.022μF,25V
R3624			NRSA02J-562X	MG RESISTOR 5.6kΩ,1/10W	C3554			NCB21HJ-103X	CAPACITOR 0.01μF,50V
R3627			NRSA02J-562X	MG RESISTOR 5.6kΩ,1/10W	C3555			QEKJ1CM-107	E CAPACITOR 100μF,16V
R3628			NRSA02J-332X	MG RESISTOR 3.3kΩ,1/10W	C3556			NCB21HJ-103X	CAPACITOR 0.01μF,50V
R3629			NRSA02J-0R0X	MG RESISTOR 0Ω,1/10W	C3557			QEKJ1CM-476	E CAPACITOR 47μF,16V
R3630			NRSA02J-103X	MG RESISTOR 10kΩ,1/10W	C3558			NCB21HJ-103X	CAPACITOR 0.01μF,50V
R3631			NRSA02J-203X	MG RESISTOR 20kΩ,1/10W	C3559			QEKJ1CM-476	E CAPACITOR 47μF,16V
R3632			NRSA02J-333X	MG RESISTOR 33kΩ,1/10W	C3561			QEKJ1HM-335	E CAPACITOR 3.3μF,50V
R3633			NRSA02J-391X	MG RESISTOR 390Ω,1/10W	C3564			QEKJ1EM-475	E CAPACITOR 4.7μF,25V
R3654			NRSA02J-222X	MG RESISTOR 2.2kΩ,1/10W	C3566			NCB21EK-223X	CAPACITOR 0.022μF,25V
R3660			NRSA02J-154X	MG RESISTOR 150kΩ,1/10W	C3567			NCB21CK-224X	CAPACITOR 0.22μF,16V
R3668			NRSA02J-391X	MG RESISTOR 390Ω,1/10W	C3568			NCB21CK-224X	CAPACITOR 0.22μF,16V
R3669			NRSA02J-122X	MG RESISTOR 1.2kΩ,1/10W	C3569			NCB21HJ-103X	CAPACITOR 0.01μF,50V
R3671			NRSA02J-122X	MG RESISTOR 1.2kΩ,1/10W	C3570			QFN31HJ-472	F CAPACITOR 0.0047μF,50V
R3672			NRSA02J-102X	MG RESISTOR 1kΩ,1/10W	C3571			NCB21HK-472X	CAPACITOR 0.0047μF,50V
R3673			NRSA02J-681X	MG RESISTOR 680Ω,1/10W	C3572			NCB21HJ-103X	CAPACITOR 0.01μF,50V
R3674			NRSA02J-101X	MG RESISTOR 100Ω,1/10W	C3573			QEKJ1EM-475	E CAPACITOR 4.7μF,25V
R3676			NRSA02J-331X	MG RESISTOR 330Ω,1/10W	C3575			QEKJ1CM-476	E CAPACITOR 47μF,16V
R3677			NRSA02J-331X	MG RESISTOR 330Ω,1/10W	C3576			NCB21HJ-103X	CAPACITOR 0.01μF,50V
R3678			NRSA02J-474X	MG RESISTOR 470kΩ,1/10W	C3577			NDC21HJ-561X	CAPACITOR 560pF,50V
R3679			NRSA02J-103X	MG RESISTOR 10kΩ,1/10W	C3578			NCB21HJ-103X	CAPACITOR 0.01μF,50V
R3681			NRSA02J-0R0X	MG RESISTOR 0Ω,1/10W	C3600			QEKJ1HM-105	E CAPACITOR 1μF,50V
R3682			NRSA02J-162X	MG RESISTOR 1.6kΩ,1/10W	C3601			QEKJ1HM-105	E CAPACITOR 1μF,50V
R3683			NRSA02J-0R0X	MG RESISTOR 0Ω,1/10W	C3602			NCB21CK-224X	CAPACITOR 0.22μF,16V
R3684			NRSA02J-103X	MG RESISTOR 10kΩ,1/10W	C3603			NCB21HJ-103X	CAPACITOR 0.01μF,50V
R3685			NRSA02J-272X	MG RESISTOR 2.7kΩ,1/10W	C3604			NCB21CK-224X	CAPACITOR 0.22μF,16V
R3686			NRSA02J-333X	MG RESISTOR 33kΩ,1/10W	C3605			NCB21EK-223X	CAPACITOR 0.022μF,25V
R3687			NRSA02J-103X	MG RESISTOR 10kΩ,1/10W	C3606			NCB21HJ-103X	CAPACITOR 0.01μF,50V
R3688			NRSA02J-474X	MG RESISTOR 470kΩ,1/10W	C3607			NCB21CK-224X	CAPACITOR 0.22μF,16V
R3689			NRSA02J-134X	MG RESISTOR 130kΩ,1/10W	C3608			NDC21HG-150X	CAPACITOR 15pF,50V
R3691			NRSA02J-123X	MG RESISTOR 12kΩ,1/10W	C3609			NCB21EK-223X	CAPACITOR 0.022μF,25V
R3692			NRSA02J-102X	MG RESISTOR 1kΩ,1/10W	C3610			QEKJ1CM-476	E CAPACITOR 47μF,16V
VR3501			QVP0039-223Z	TRIM RESISTOR,FH FREE RUN ADJ	C3611			QEKJ1CM-476	E CAPACITOR 47μF,16V
VR3502			QVP0039-471Z	TRIM RESISTOR,SECAM DECODER	C3612			NCB21HJ-103X	CAPACITOR 0.01μF,50V
VR3503			QVP0039-104Z	TRIM RESISTOR,PAL BURST ADJ	C3613			NCB21HJ-103X	CAPACITOR 0.01μF,50V
VR3505			QVP0039-471Z	TRIM RESISTOR,R-Y LEVEL	C3614			NDC21HJ-222X	CAPACITOR 0.0022μF,50V
VR3506			QVP0039-471Z	TRIM RESISTOR,B-Y LEVEL	C3615			NCB21HJ-103X	CAPACITOR 0.01μF,50V
C3526			NDC21HJ-121X	CAPACITOR 120pF,50V	C3616			NDC21HJ-101X	CAPACITOR 100pF,50V
C3527			NCB21HJ-103X	CAPACITOR 0.01μF,50V	C3618			NDC21HJ-2R0X	CAPACITOR 2pF,50V
C3528			NCB21HJ-103X	CAPACITOR 0.01μF,50V	C3625			QEKJ1CM-476	E CAPACITOR 47μF,16V
C3529			NCB21HJ-103X	CAPACITOR 0.01μF,50V	C3648			QEKJ1HM-105	E CAPACITOR 1μF,50V
C3530			NDC21HJ-101X	CAPACITOR 100pF,50V	C3649			NCB21HJ-103X	CAPACITOR 0.01μF,50V
C3531			NCB21HJ-103X	CAPACITOR 0.01μF,50V	C3650			QEKJ1CM-476	E CAPACITOR 47μF,16V
C3532			NCB21HJ-103X	CAPACITOR 0.01μF,50V	C3652			NDC21HJ-222X	CAPACITOR 0.0022μF,50V
C3533			NCB21HJ-103X	CAPACITOR 0.01μF,50V	C3655			NDC21HJ-222X	CAPACITOR 0.0022μF,50V
C3535			QEKJ1CM-476	E CAPACITOR 47μF,16V	C3656			NCB21HJ-103X	CAPACITOR 0.01μF,50V
C3536			QEKJ1CM-106	E CAPACITOR 10μF,16V	C3657			QEKJ1CM-476	E CAPACITOR 47μF,16V
C3537			QEKJ1CM-106	E CAPACITOR 10μF,16V	C3658			NDC21HJ-102X	CAPACITOR 0.001μF,50V

#	△ REF No.	PART No.	PART NAME, DESCRIPTION
C3659		NCB21HJ-103X	CAPACITOR 0.01μF,50V
C3660		NDC21HJ-222X	CAPACITOR 0.0022μF,50V
C3661		NDC21HJ-101X	CAPACITOR 100pF,50V
C3662		QEKJ1HM-105	E CAPACITOR 1μF,50V
L3501		QQL29BJ-101Z	COIL 100μH
L3502		QQL29BJ-101Z	COIL 100μH
L3503		QQL29BJ-101Z	COIL 100μH
L3504		QQL29BJ-331Z	COIL 330μH
L3506		QQL29BJ-101Z	COIL 100μH
L3507		QQL29BJ-101Z	COIL 100μH
L3508		QQL29BJ-101Z	COIL 100μH
L3513		QQR0660-001	BLOCK COIL,SECAM DECODER
L3516		QQL29BJ-101Z	COIL 100μH
X3503		QAX0345-001Z	CRYSTAL RESONATOR
SD1		LP20275-001B	SHIELD FRAME
FL3501		PELN1223	EQUALIZER
FL3502		QQR0662-001	EQUALIZER
FL3503		QQR0661-001	EQUALIZER
FL3505		PELN1207	LOW PASS FILTER
FL3506		PELN1205	LC TRAP
OT1		PU59915-105	#500SPACER0.01,X3503
CN3501		QGF1208F1-04	FPC CONNECTOR,(7-10)MAIN
CN3502		QGF1208F1-09	FPC CONNECTOR,(1-9)S-SUB

#	△ REF No.	PART No.	PART NAME, DESCRIPTION
C306		NCB21AK-105X	CAPACITOR 1μF,10V
C307		NDC21HJ-151X	CAPACITOR 150pF,50V
C308		NCB21HK-103X	CAPACITOR 0.01μF,50V
C309		NCB21EK-104X	CAPACITOR 0.1μF,25V
C310		NCB21HK-103X	CAPACITOR 0.01μF,50V
C311		NCB21HK-103X	CAPACITOR 0.01μF,50V
C312		NCB21HK-102X	CAPACITOR 0.001μF,50V
C313		NCB21CK-474X	CAPACITOR 0.47μF,16V
C315		NCB21AK-105X	CAPACITOR 1μF,10V
C316		NCB21HK-103X	CAPACITOR 0.01μF,50V
C317		NDC21HJ-681X	CAPACITOR 680pF,50V
C318		NCB21EK-223X	CAPACITOR 0.022μF,25V
C319		NCB21AK-105X	CAPACITOR 1μF,10V
C320		NCB21HK-103X	CAPACITOR 0.01μF,50V
C321		NDC21HG-301X	CAPACITOR 300pF,50V
C322		NCB21CK-474X	CAPACITOR 0.47μF,16V
L302		QQL231J-6R8Y	COIL 6.8μH
L303		QQL231J-270Y	COIL 27μH
OT1		PU60010	SPACER
CN301		QGG2509M1-05	HEADER PIN
CN302		QGG2509M1-06	HEADER PIN

SECAM BOARD ASSEMBLY <88>

PW1	LPA10069-01A	SECAM BOARD ASSY	
IC301	LA7358	IC	
Q301	2SB1218A/QR/-X	TRANSISTOR	
	or 2PA1576/R/-X	TRANSISTOR	
	or 2SA1576A/QR/-X	TRANSISTOR	
Q302	UN511E	TRANSISTOR	
	or RN2309	TRANSISTOR	
	or DTA144WU	TRANSISTOR	
R301	NRSA02J-273X	MG RESISTOR	27kΩ,1/10W
R302	NRSA02J-124X	MG RESISTOR	120kΩ,1/10W
R303	NRSA02J-273X	MG RESISTOR	27kΩ,1/10W
R304	NRSA02J-682X	MG RESISTOR	6.8kΩ,1/10W
R305	NRSA02J-473X	MG RESISTOR	47kΩ,1/10W
R306	NRSA02J-273X	MG RESISTOR	27kΩ,1/10W
R307	NRSA02J-222X	MG RESISTOR	2.2kΩ,1/10W
R308	NRSA02J-222X	MG RESISTOR	2.2kΩ,1/10W
R309	NRSA02J-0R0X	MG RESISTOR	0Ω,1/10W
R310	NRSA02J-223X	MG RESISTOR	22kΩ,1/10W
R311	NRSA02J-332X	MG RESISTOR	3.3kΩ,1/10W
R312	NRSA02J-272X	MG RESISTOR	2.7kΩ,1/10W
R313	NRSA02J-223X	MG RESISTOR	22kΩ,1/10W
R314	NRVA02D-243X	CMF RESISTOR	24kΩ,1/10W
R315	NRSA02J-564X	MG RESISTOR	560kΩ,1/10W
R316	NRSA02J-124X	MG RESISTOR	120kΩ,1/10W
R329	NRSA02J-0R0X	MG RESISTOR	0Ω,1/10W
C301	NDC21HJ-151X	CAPACITOR	150pF,50V
C302	NCB21AK-105X	CAPACITOR	1μF,10V
C303	NCB21HK-682X	CAPACITOR	0.0068μF,50V
C304	NCB21HK-682X	CAPACITOR	0.0068μF,50V
C305	NCB21HK-103X	CAPACITOR	0.01μF,50V